



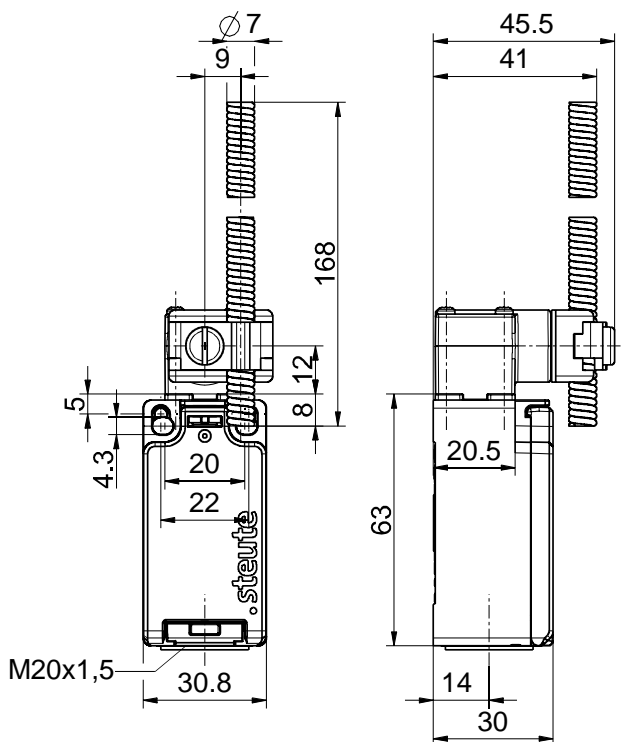
Position switch
EM 97 DF 11
Material number: 1362857

Features/Options:

- Thermoplastic enclosure
- Design to EN 50047
- Horizontally slotted mounting holes
- Double insulated

- Cover fixed without screws
- Actuator: Spring-rod lever DF
- Lever angle adjustable in 10° steps
- Actuator can be repositioned by 4 x 90°

Dimensions



Technical data

Applied standards	EN 60947-5-1, EN ISO 13849-1, EN ISO 14119, type V: EN 60947-5-5
Enclosure	thermoplastic, glass-fibre reinforced, shock-proof, self-extinguishing UL 94 V-0, weathering resistant, UV stabilised
Degree of protection	IP 66/67 to IEC/EN 60529
Switching system	snap action
Switching elements	1 NC/1 NO contact, type Zb
Connection	screw connection terminals
Cable cross-section	0.34 ... 2.5 mm ² (incl. conductor ferrules)
Cable entry	1 x M20 x 1.5
Rated impulse withstand voltage U_{imp}	6 kV
Rated insulation voltage U_i	500 V
Conventional thermal current I_{the}	10 A
Utilisation category	AC-15; DC-13
Rated operating current/voltage I_e/U_e	AC: 24 V-10 A/120 V-6 A/400 V-4 A DC: 24 V-6A/125 V-0.55 A/250 V-0.4 A Minimum electrical load: 5 V/10 mA
Short-circuit protection	10 A gG/gL fuse
Conditional short-circuit current	1000 A
Operation cycles	max. 1800/h
Mechanical life	> 1 million operations
Ambient temperature	-30 °C ... +70 °C

Errors and omissions excepted.



Position switch
EM 97 DF 11
Material number: 1362857

Technical data

Approvals

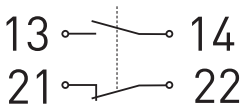


Chemical resistance

Enclosure material resistant to:
oil and petrol, alcohol, animal fats and oils, vegetable fats and oils, silicone oils, surfactants, detergents, water vapour, salt water, organic acids (citric acid, benzoic acid)

Enclosure material not resistant to:
mineral acids (concentrated hydrochloric acid, battery acid, sulphuric acid, nitric acid)

Contact diagram



Switching diagram

