



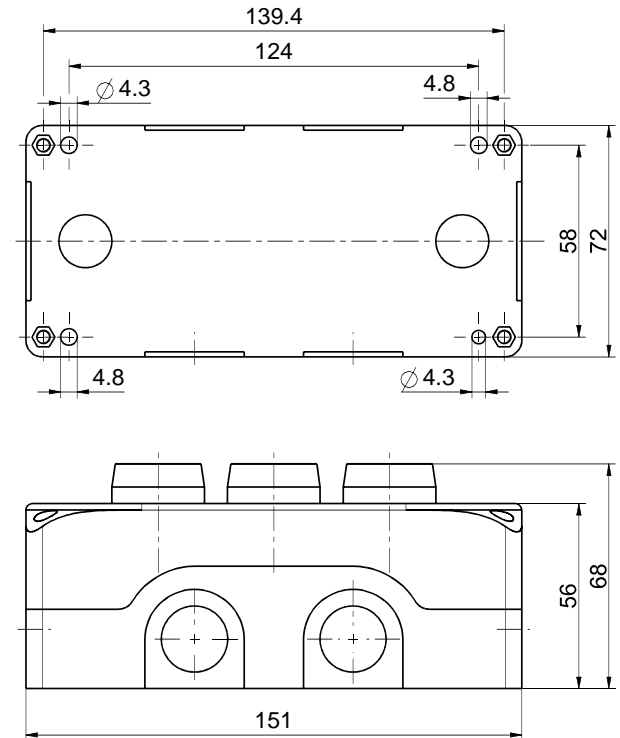
Wireless command device RF BF 74 RT/RT/RT SW868-BATT LBT Material no.: 1456164

Product features



- Thermoplastic enclosure
- sWave® wireless technology
- No wiring and pipe laying required
- Power supply by Lithium battery (replaceable)
- Easy programming of receiver
- Output signal can be individually configured at the receiver
- LBT - Listen before Talk software (necessary in conjunction with potential interference)

Dimensions



General technical data

Applied standards

EN 60947-5-1, EN 61000-6-2, EN 61000-6-3, EN 61000-4-2, EN 301 489-1, EN 301 489-3, EN 300 220-1, EN 300 220-2

Enclosure

polycarbonate

Tightening torque

cover screws: approx. 1.6 Nm

Degree of protection

IP65 (IEC/EN 60529)

Ambient temperature

-20 °C ... +65 °C

Operation cycles

max. 12000 telegrams with repetitions/h

Mechanical life

800 000 operations

Actuating time

min. 80 ms

Note

status signal adjustable via jumper, no, 10 s, 100 s, 1000 s, 10000 s

delivery state: jumper position without status signal

transmission of battery voltage and switching condition

Wireless approvals

Europe: RED 2014/53/EU

Errors and omissions excepted.



Wireless command device
RF BF 74 RT/RT/RT SW868-BATT LBT
Material no.: 1456164

Wireless technology

Protocol sWave®	Data rate 66 kbps
Frequency 868.3 MHz (Europe)	Channel bandwidth 350 kHz
Transmission power < 25 mW	Wireless range max. 450 m outdoors, max. 40 m indoors

Voltage supply

Voltage source lithium battery Tadiran SL-750/S (replaceable)	Battery life depending on the switching frequency 10 s: ca. 1.5 years 1 min: ca. 7.5 years manufacturer´s specification of max. storage life
System Li/SOCl ₂	
Nominal voltage 3.6 V	
Nominal capacity 1.1 Ah	