



Foot switch

GFSM 2Ö/2S IP69 Thermoplastic protective shield Extreme

Article no.: 1207937 (old article no.: 81204909)

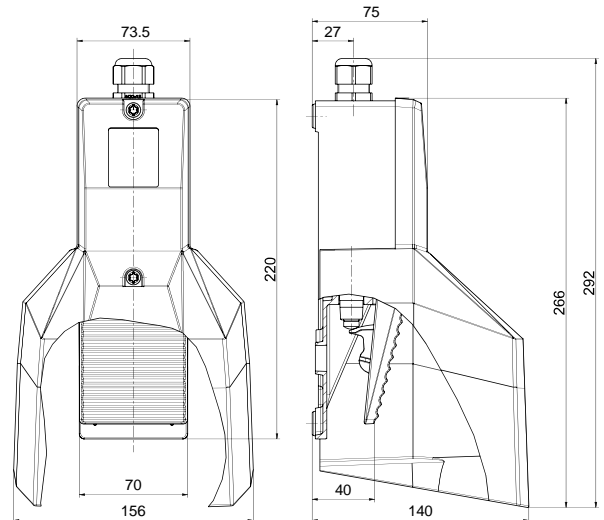
Product features

- Version with higher degree of protection IP69: suitable for cleaning with 80 °C hot water at 100 bar pressure at a distance of 100 mm from different directions
- With thermoplastic protective shield
- High level of stability
- Low pedal height
- Wiring compartment
- Attention: Please state required international approvals with your order!

Notes

- 1 cable gland M20x1.5 - IP 69 included in delivery

Dimensions



Technical data

Applied standards

EN 60947-5-1

Enclosure

aluminium die-cast, powder-coated

Pedal

thermoplastic, glass-fibre reinforced, shockproof

Protective shield

thermoplastic, glass-fibre reinforced, shockproof

Tightening torque

cover screws: approx. 3 Nm

Degree of protection

IP66, IP67, IP69 (IEC/EN 60529) / IP69K (ISO 20653)

B_{10d} (10 % load)

2 million

T_M

max. 20 years

Connection

screw connection terminals

Cable cross-section

max. 2.5 mm² (incl. conductor ferrules)

Cable entry

1 x M20 x 1.5

Contact material

silver

Switching system

snap action, positive break NC contacts ⊖

Switching elements

2 NC/2 NO contacts, type Zb

Switch insert

2 x ZS 232

Utilisation category

AC-15

Rated operating current/voltage I_e/U_e

6 A/400 VAC

Short-circuit protection

4 A gG/gN fuse

Ambient temperature

-25 °C ... +80 °C

Mechanical life

> 1 million operations

Approvals



Weight

1300 g

Errors and omissions excepted.

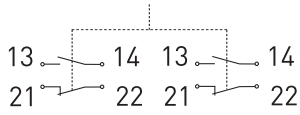


Foot switch

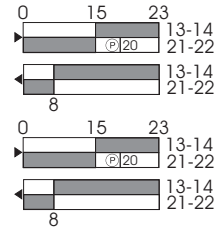
GF5M 2Ö/2S IP69 Thermoplastic protective shield Extreme

Article no.: 1207937 (old article no.: 81204909)

Contact diagram



Switching diagram



Ⓟ Positive break travel/angle