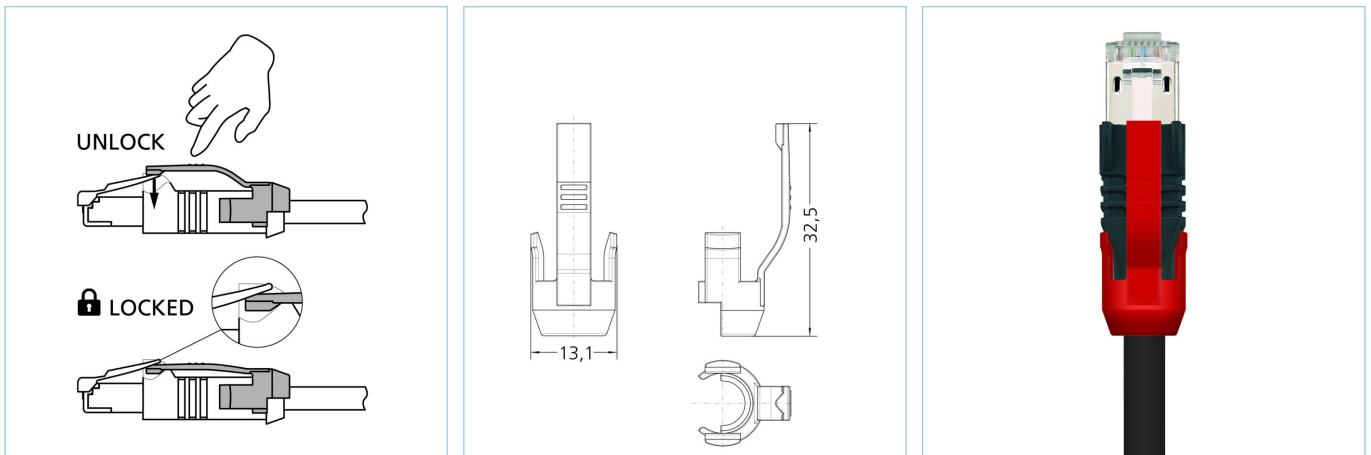


Unlocking clip, RJ45, red, QTY 10



Product data

| | |
|--------------------|---------------------------------------|
| Item description | Entriegelungsclip RJ45, RD, VE=10Stck |
| Item-No. | 8071939 |
| Customs tariff-No. | 39269097 |
| Packaging unit | 10 |
| Step-File | Entriegelungsclip_RJ45.stp |
| EAN | 4047106158613 |

Technical data

| | |
|----------|---------------------|
| Material | POM |
| Color | RD, similar RAL3020 |

other variants

WH, similar RAL9002, QTY 10
<https://www.escha.net/en/products/standard/accessories-for-connectivity/8071938>

BU, similar RAL5012, QTY 10
<https://www.escha.net/en/products/standard/accessories-for-connectivity/8071940>

YE, similar RAL1018, QTY 10
<https://www.escha.net/en/products/standard/accessories-for-connectivity/8071941>

GN, similar RAL6018, QTY 10
<https://www.escha.net/en/products/standard/accessories-for-connectivity/8071942>

BK, similar RAL9004, QTY 10
<https://www.escha.net/en/products/standard/accessories-for-connectivity/8071943>

OG, similar RAL2008, QTY 10
<https://www.escha.net/en/products/standard/accessories-for-connectivity/8071944>

VT, similaire RAL4006, QTY 10
<https://www.escha.net/en/products/standard/accessories-for-connectivity/8071945>

GY, similar RAL7035, QTY 10
<https://www.escha.net/en/products/standard/accessories-for-connectivity/8071946>

PK, similar RAL4003, QTY 10
<https://www.escha.net/en/products/standard/accessories-for-connectivity/8071947>

BN, similar RAL1002, QTY 10
<https://www.escha.net/en/products/standard/accessories-for-connectivity/8071948>

Classification

| | |
|------------|----------|
| eCl@ss 6.0 | 27261207 |
| eCl@ss 7.0 | 27440210 |
| eCl@ss 8.0 | 27440210 |
| eCl@ss 9.0 | 27440210 |
| ETIM 5.0 | EC002310 |
| ETIM 6.0 | EC002310 |

Link to product

<https://www.escha.net/en/products/standard/accessories-for-connectivity/8071939>