

Part number

C30FA 70



Female crimp contact, C30 series, 300 A, turned silver plated, wire cross section 70 mm², AWG 2/0

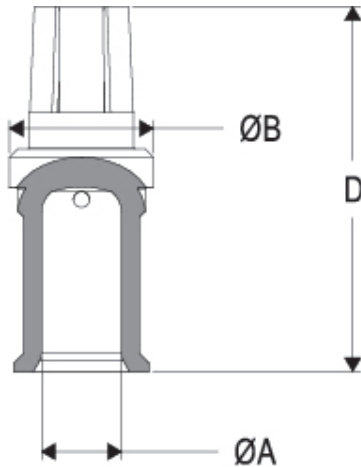
Product description		Material properties	
Product type	Crimp contact	Main material	Copper alloy
Series	C30		Compliant with exemption 6(c): copper alloy containing up to 4% lead by weight
Gender	Female	RoHs conformity	
Technical data		China RoHs - EFUP	50
Current	300 A	REACH SVHC substances	Yes Lead
Wire cross-section	70,00 mm ²	General ordering information	
Contact type	Turned silver plated	EAN13 code	8015747291125
Further technical details		Packaging Information	
Contact resistance	≤ 0,2 mΩ	Packaging length	112,00 mm
Weight	36,00 g	Packaging height	95,00 mm
Conductors stripping length	22,5 mm	Packaging width	117,00 mm
		Packaging volume	1,24 dm ³
		Packaging description	Carton box
		Packaging quantity	40 Pcs
		Packaging EAN code	8015747291132
		Sub-packaging length	50,00 mm
		Sub-packaging height	44,00 mm
		Sub-packaging width	50,00 mm
		Sub-packaging volume	0,11 dm ³
		Sub-packaging description	Plastic box
		Sub-packaging quantity	5 Pcs
		Sub-packaging EAN barcode	8015747291149

Part number

C30FA 70



Catalogue drawings



C30FA contacts

conductor section (mm ²)	conductor slot ø A (mm)	ø B (mm)	D (mm)	conductor stripping length (mm)
16	5,5	18	39,1	19
25	7	18	39,1	19
35	8,2	18	40,1	20
50	10	18	45,6	22,5
70	11,5	18	45,6	22,5
95	13,5	21	45,6	22,5
120	15,5	21	45,6	22,5

Notes

AVAILABLE FROM: JUNE 2023

Dimensions shown in mm are not binding and may be changed without notice.

California Proposition 65 Information



WARNING

This product can expose you to lead and its compounds, known to the State of California to cause cancer and/or reproductive toxicity. For more information go to www.P65Warnings.ca.gov.