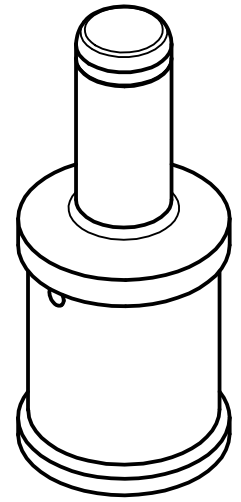


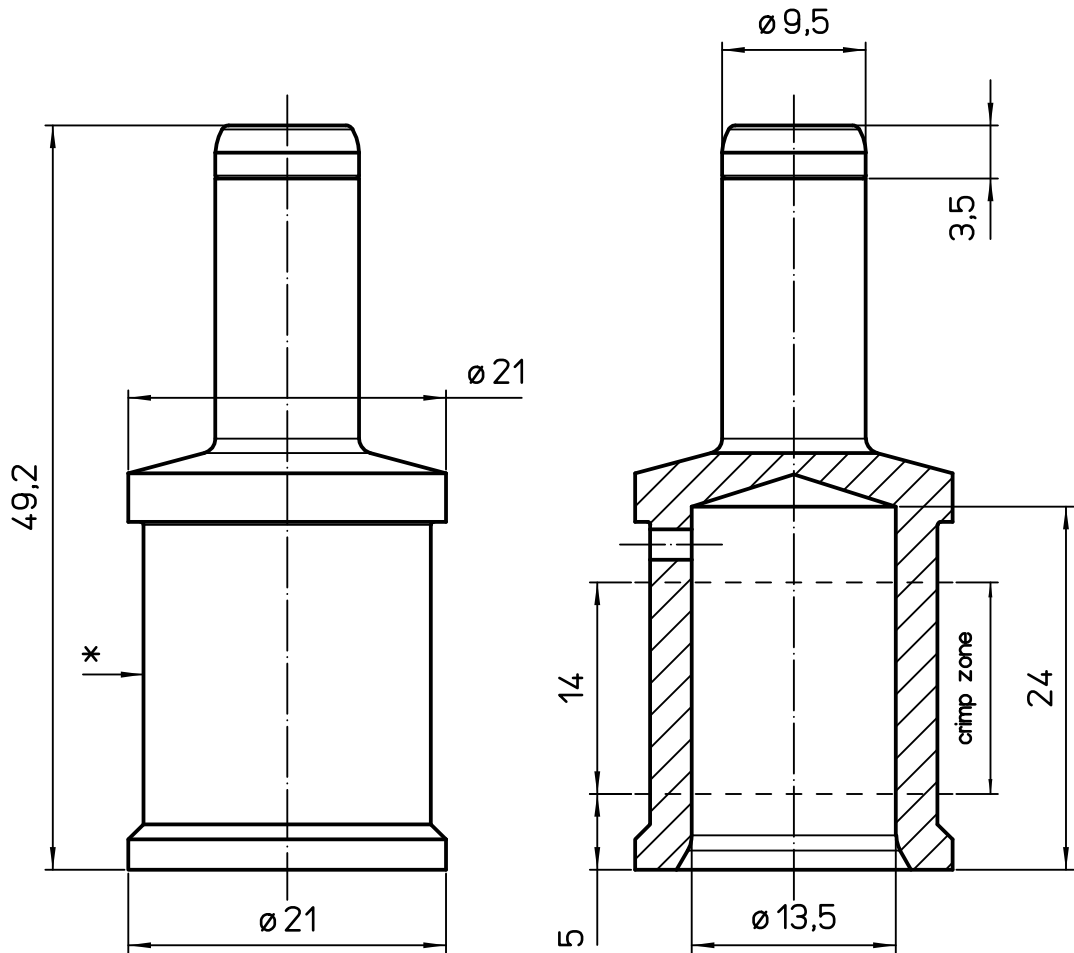
A

A



B

B



C

C

- * number of crimps: 1
- assembly instructions see catalogue
- crimp zone according to DIN 46235; indicator MK 18
- for stranded wire according to IEC 60228 class 5
- stripping length: 24 mm

Diritti riservati All rights reserved

REV.	DATE	SIGNATURE


 Dimensions
in mm

Simplified representation with dimensions without tolerance

Original Size A4

C30MA 95 P

Date 21/02/23

Turned silver plated finger proof male crimp contact, 300 A,

Sign. S.Diasparra

 wire cross-section 95 mm² / AWG 3/0

 Scale
2:1
