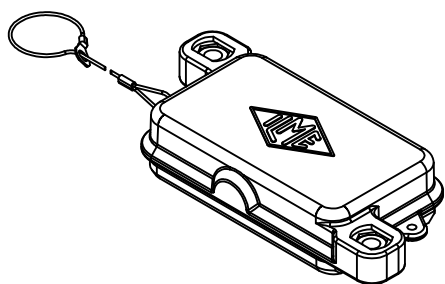
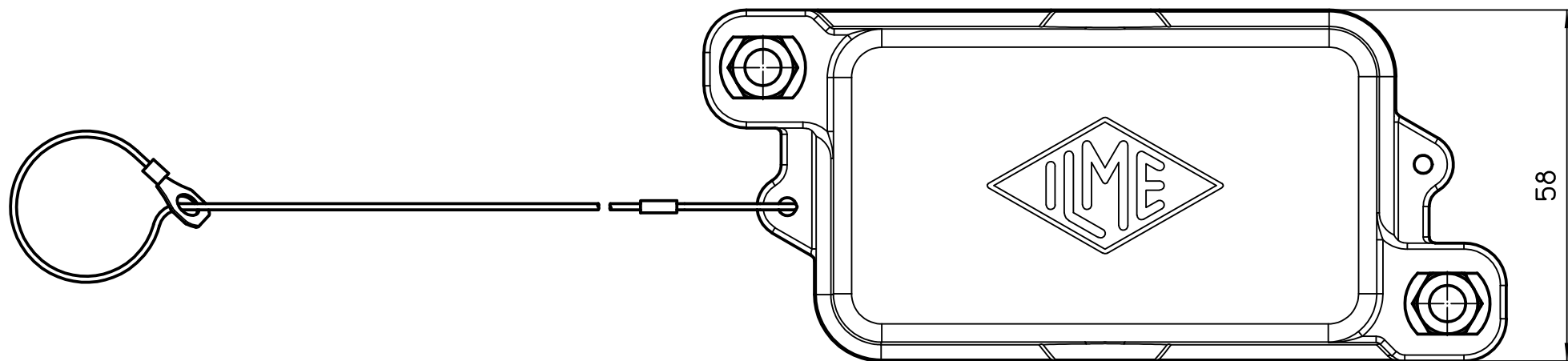
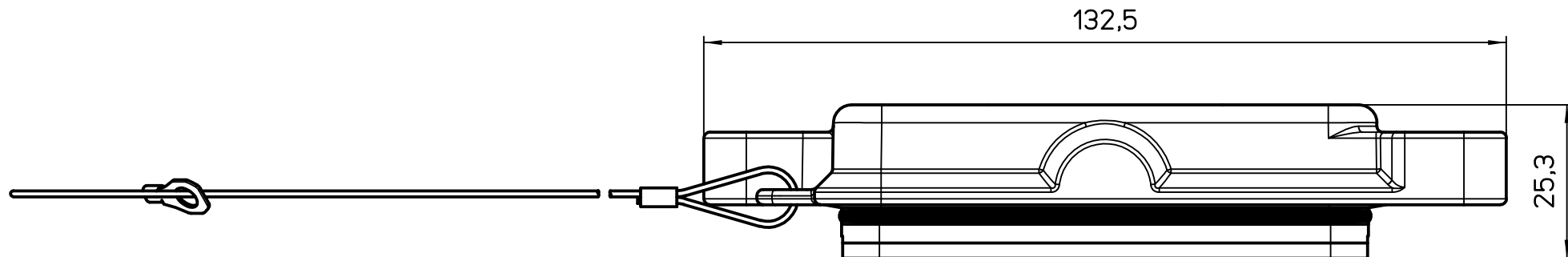





Diritti riservati All rights reserved

1

2

3



REV.	DATE	SIGNATURE		
		Dimensions in mm	Simplified representation with dimensions without tolerance	
Original Size A4		CGC 06 G	Scale 1:1	
Date	19/01/23	IP68 cover for screw locking hood, size "44.27"		
Sign.	S.Diasparra			

1

2

3