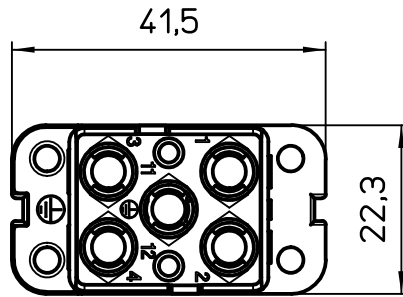
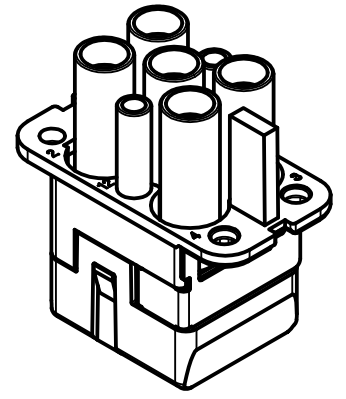


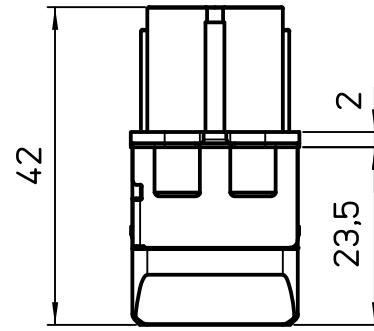
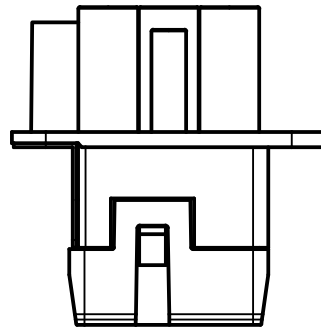
1

2

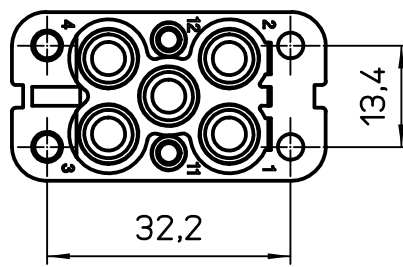
A



B



C



Diritti riservati All rights reserved

REV.	DATE	SIGNATURE



Dimensions  
in mm

Simplified representation with dimensions without tolerance

Original Size A4

Date 19/01/23

Sign. S.Diasparra

CQF 04/2E

Female insert, crimp with additional PE plate, 4P (40A 400/690V) + 2P (10A 250V) + PE

Scale

1:1



1

2