


Part number

CQYM 05



Male insert, CQY series, AXYR® spring push-in terminal connection without tools, 5 poles + PE, 16 A 230/400 V 4 kV 3, size "21.21"

Product description

Product type	Insert
Series	CQY
Connection type	AXYR® high density spring terminal connection without tools
Gender	Male
N. of poles	5 poles + 
Size	Size "21.21"

Technical data

Current	16 A
Voltage	230 - 400 V
Rated impulse withstand voltage	4 kV
Pollution degree	3
Rated voltage according to UL/CSA	600 V
Wire cross-section	0,25 mm ² - 2,50 mm ²
AWG size	24 - 14
Contact type	Turned silver plated
IP degree of protection	IP20 without enclosure, IP44/IP66/IP67/IP68/IP69 with enclosure

Further technical details

Characteristics according to EN 61984	16 A 230/400 V 4 kV 3
Mating cycles	≥ 500
Insulation resistance	≥ 10 GΩ
Contact resistance	≤ 3 mΩ
Weight	19,50 g
Operating temperature range (min, max)	-40 °C ... +125 °C
Conductors stripping length	9...11 mm
UL 94 flammability rating	V-0

Material properties

Main material	Polycarbonate (PC)
Other materials	Contacts: copper alloy
Colour	RAL 7032 grey
RoHs conformity	Compliant with exemption 6(c): copper alloy containing up to 4% lead by weight
China RoHs - EFUP	50
REACH SVHC substances	Yes Lead

Approvals / Standards

Certifications	DNV
-----------------------	-----

General ordering information

EAN13 code	8015747284684
eCl@ss 8.1	27440205
ETIM 7.0	EC000438

Packaging Information

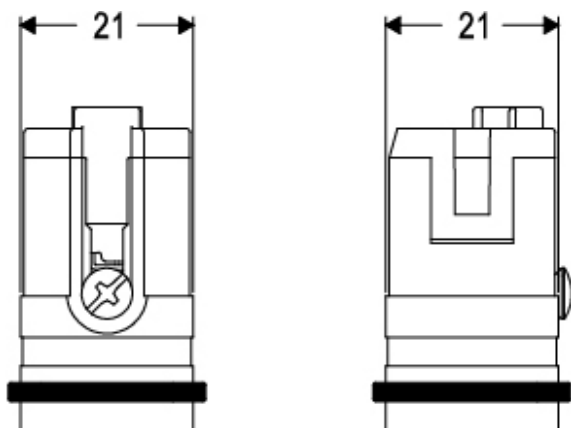
Packaging length	280,00 mm
Packaging height	170,00 mm
Packaging width	185,00 mm
Packaging weight	2,35 kg
Packaging volume	8,81 dm ³
Packaging description	Carton box
Packaging quantity	100 Pcs
Packaging EAN code	8015747183413
Sub-packaging weight	0,02 kg
Sub-packaging description	Plastic bag
Sub-packaging quantity	1 Pcs
Sub-packaging EAN barcode	8015747284707

Part number

CQYM 05



Catalogue drawings



Notes

Dimensions shown in mm are not binding and may be changed without notice.

inserts for wires with the following cross-sectional areas:

0,25 - 4 mm² (24 - 12 AWG)

for prepared wires useable section:

0,25 - 2,5 mm² (24 - 14 AWG)
