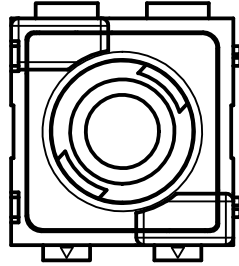
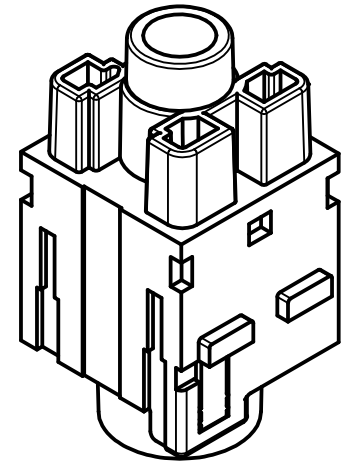
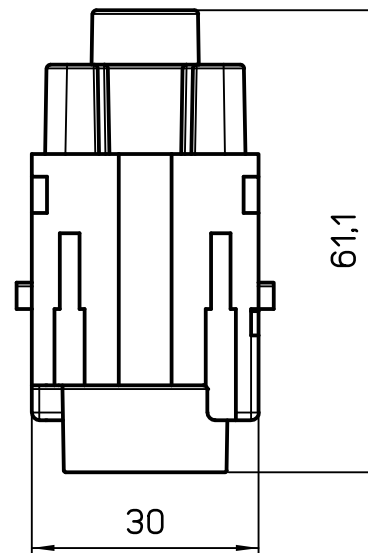
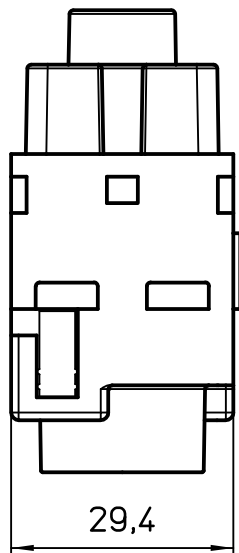


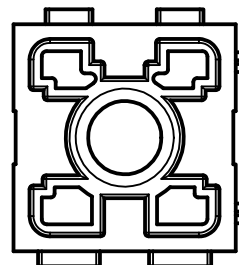
A



B



C



Diritti riservati All rights reserved

REV.	DATE	SIGNATURE
------	------	-----------



Dimensions in mm

Simplified representation with dimensions without tolerance

Original Size A4

Date 14/02/23

Sign. S.Diasparra

CX 01 30F

Female modular insert, crimp, 1 pole 300 A 1000 V 8 kV 3 - 1300 Vdc for C30 contacts size 16, 25, 35, 50 and 70

Scale 1:1

