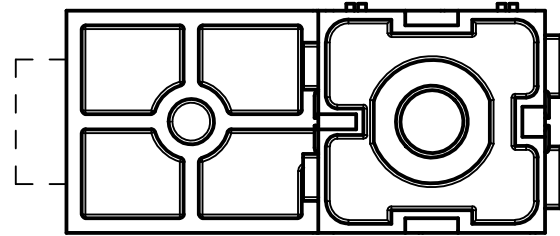
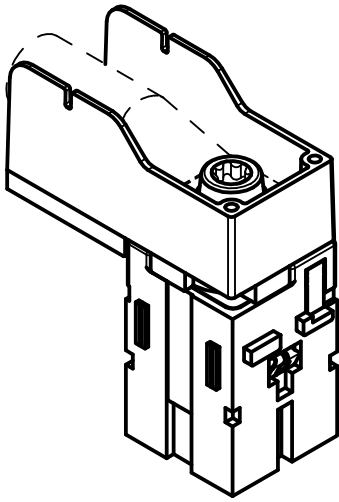


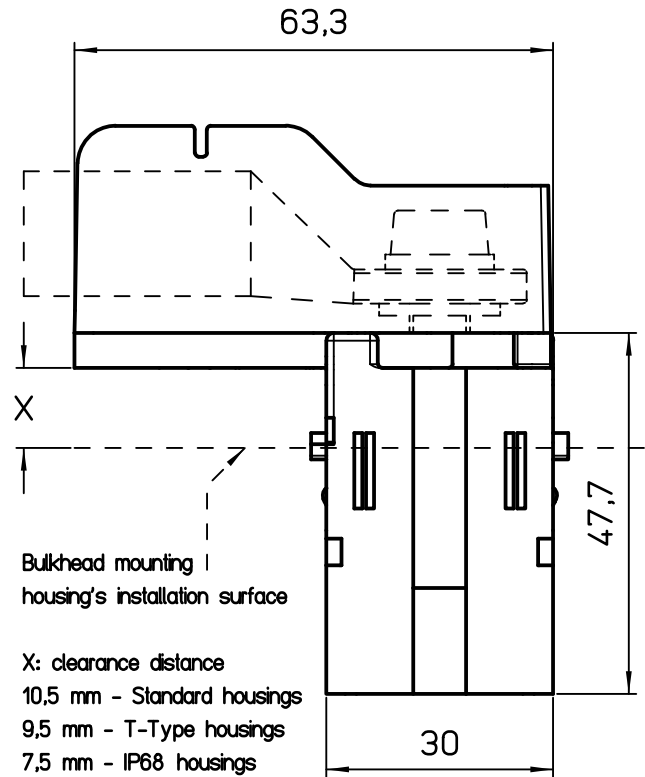
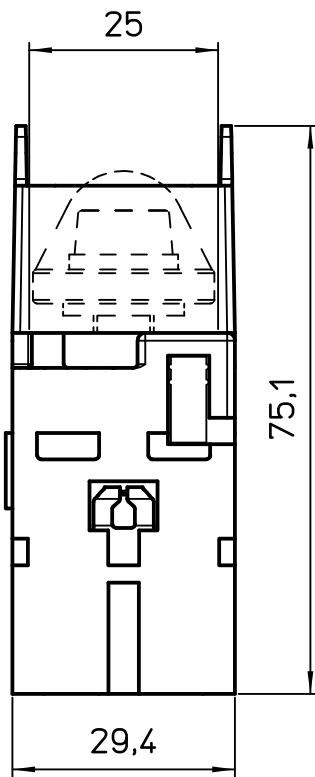
A



A

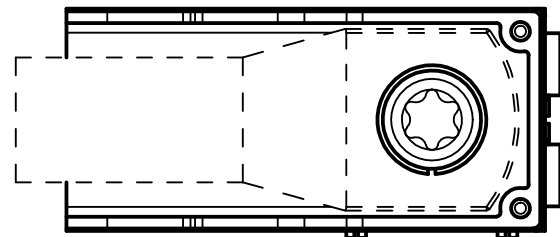
Diritti riservati All rights reserved

B



B

C



C

REV.	DATE	SIGNATURE



Dimensions in mm

Simplified representation with dimensions without tolerance

Original Size A4

Date 16/02/23

Sign. S.Diasparra

CX 01 30PEAM
 Male PE modular insert, screw, 90°-angled, 1 PE pole 300 A,
 with integrated PE plate

Scale 1:1

