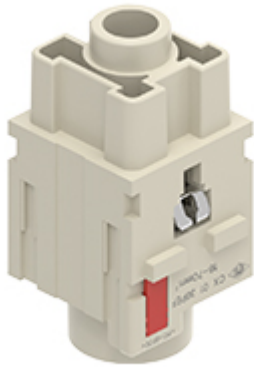


Part number

CX 01 30PEF



Female modular insert, Mixo series, 300 A, crimp connection, 1 PE pole, 2 modules, PE module for earth termination

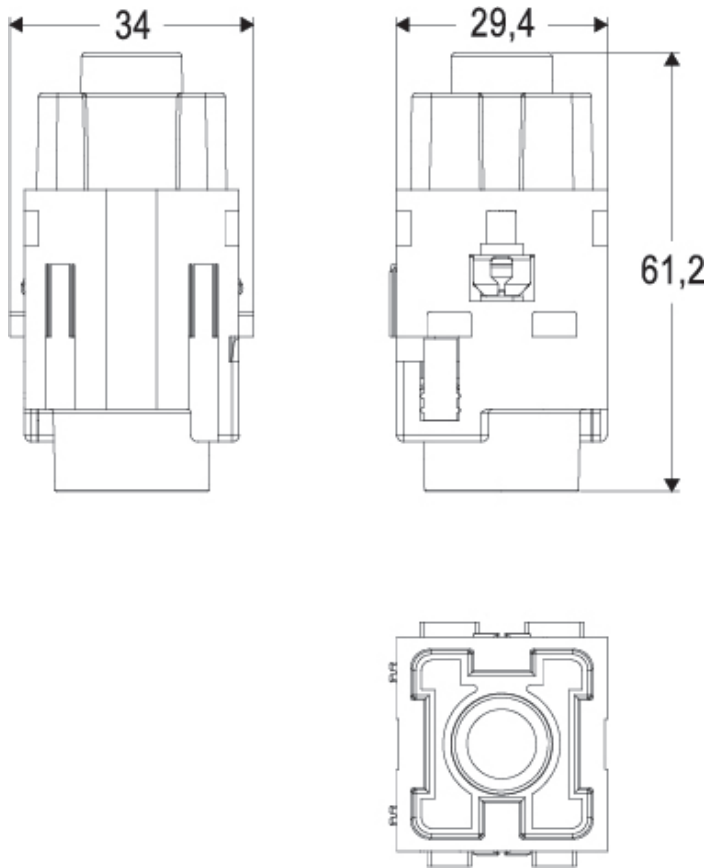
| Product description | | Material properties | |
|---|---|-------------------------------------|----------------------|
| Product type | Modular insert | Main material | Polycarbonate |
| Series | Mixo | Colour | RAL 7032 grey |
| Connection type | Crimp connection | RoHs conformity | Compliant |
| Gender | Female | China RoHs - EFUP | E |
| N. of poles | 1 PE pole | REACH SVHC substances | No |
| Size | 2 modules | General ordering information | |
| Specification | For C30 contacts (16-7 mm) PE module for earth termination | EAN13 code | 8015747289849 |
| Technical data | | eCl@ss 8.1 | 27440205 |
| Current | 300 A | ETIM 7.0 | EC000438 |
| IP degree of protection | IP20 without enclosure, IP65/IP66/IP68/IP69 with enclosure | Packaging Information | |
| Further technical details | | Packaging length | 112,00 mm |
| Mating cycles | ≥ 500 | Packaging height | 95,00 mm |
| Contact resistance | ≤ 0,2 mΩ | Packaging width | 117,00 mm |
| Weight | 2,00 g | Packaging volume | 1,24 dm ³ |
| Operating temperature range (min, max) | -40 °C ... +125 °C | Packaging description | Carton box |
| UL 94 flammability rating | V-0 | Packaging quantity | 5 Pcs |
| | | Packaging EAN code | 8015747290005 |
| | | Sub-packaging description | Plastic bag |
| | | Sub-packaging quantity | 1 Pcs |
| | | Sub-packaging EAN barcode | 8015747290012 |

Part number

CX 01 30PEF



Catalogue drawings



Notes

AVAILABLE FROM: JUNE 2023

the modular inserts must be installed in suitable frames which in turn are installed in traditional housings or COB panel support

Dimensions shown in mm are not binding and may be changed without notice.
