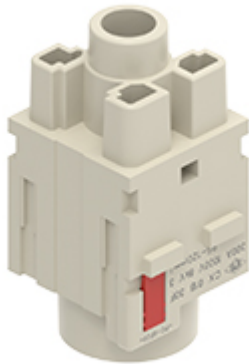


Part number

CX 01B 30F



Female modular insert, Mixo series, crimp connection, 1 pole, 2 modules, 300 A 1000 V 8 kV 3

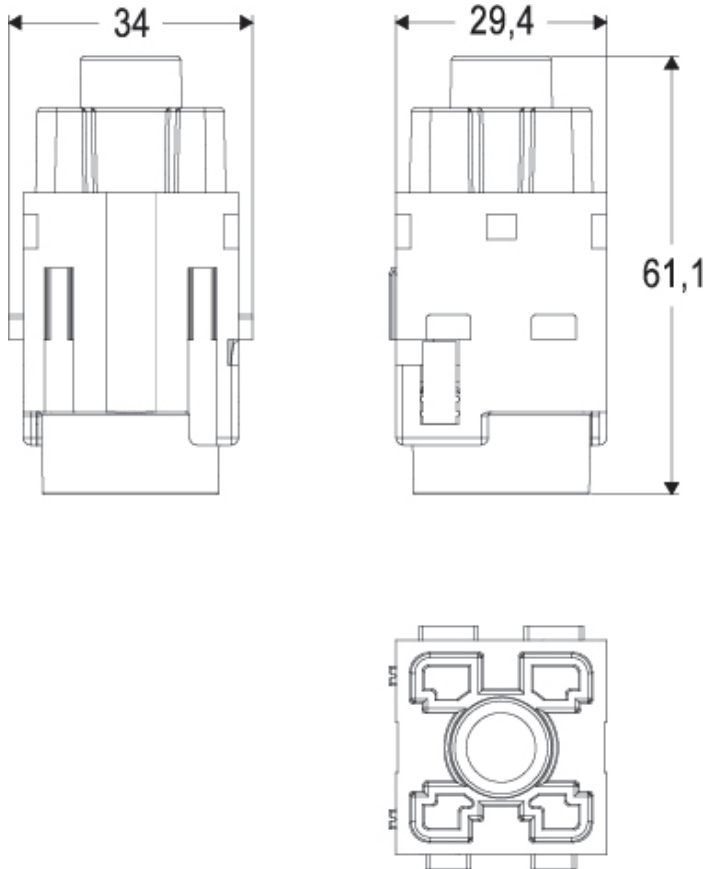
| Product description | | Material properties | |
|---|--|-------------------------------------|----------------------|
| Product type | Modular insert | Main material | Polycarbonate |
| Series | Mixo | Colour | RAL 7032 grey |
| Connection type | Crimp connection | RoHs conformity | Compliant |
| Gender | Female | China RoHs - EFUP | E |
| N. of poles | 1 pole | REACH SVHC substances | No |
| Size | 2 modules | General ordering information | |
| Specification | For C30 contacts (95-120 mm) | EAN13 code | 8015747289818 |
| Technical data | | eCl@ss 8.1 | 27440205 |
| Current | 300 A | ETIM 7.0 | EC000438 |
| Voltage | 1000 V | Packaging Information | |
| Rated impulse withstand voltage | 8 kV | Packaging length | 112,00 mm |
| Pollution degree | 3 | Packaging height | 95,00 mm |
| Rated voltage according to UL/CSA | 600 V | Packaging width | 117,00 mm |
| IP degree of protection | IP20 without enclosure, IP65/IP66/IP68/IP69 with enclosure | Packaging volume | 1,24 dm ³ |
| Further technical details | | Packaging description | Carton box |
| Mating cycles | ≥ 500 | Packaging quantity | 5 Pcs |
| Insulation resistance | ≥ 10 GΩ | Packaging EAN code | 8015747289948 |
| Contact resistance | ≤ 0,2 mΩ | Sub-packaging description | Plastic bag |
| Weight | 2,00 g | Sub-packaging quantity | 1 Pcs |
| Operating temperature range (min, max) | -40 °C ... +125 °C | Sub-packaging EAN barcode | 8015747289955 |
| UL 94 flammability rating | V-0 | | |

Part number

CX 01B 30F



Catalogue drawings



Notes

AVAILABLE FROM: JUNE 2023

the modular inserts must be installed in suitable frames which in turn are installed in traditional housings or COB panel support

Dimensions shown in mm are not binding and may be changed without notice.
