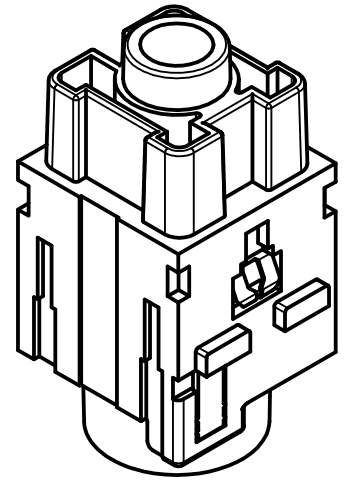
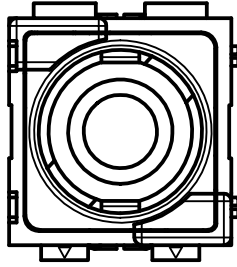


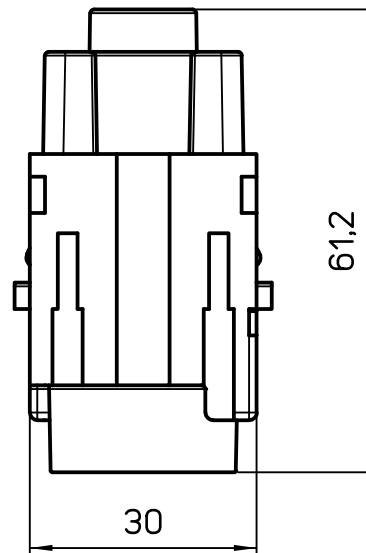
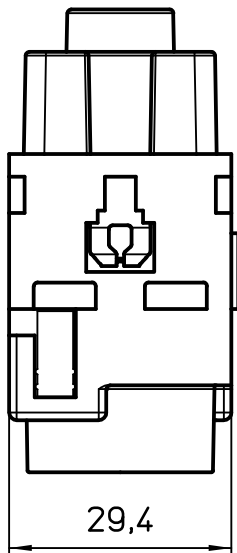
1

2

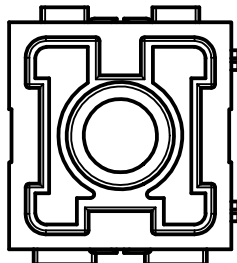
A



B



C



Diritti riservati All rights reserved

REV.	DATE	SIGNATURE



Dimensions
in mm

Simplified representation with dimensions without tolerance

Original Size A4

Date 14/02/23

Sign. S.Diasparra

CX 01B 30PEF

Female PE modular insert, crimp, 1 PE pole 300 A, with integrated PE plate,
for C30 contacts size 95 and 120

Scale
1:1



1

2