

TQ50 Split-core Current Transformer

The very compact ELEQ TQ50 split-core current transformer is especially designed for connection to digital measurement systems. Additionally, the 5VA line is also suitable for analogue measurement systems. The accuracy of these current transformers results in highly accurate current measurements. All TQ50 current transformers are capable of supplying the specified burden at the end of the secondary leads. The TQ50 is easy to install; the top part can be removed entirely. The TQ50 is supplied with color coded secondary leads and correct closing of the current transformer is guaranteed by a distinct sound of a "click". Two tie wraps are included for easy assembling the current transformer on the primary conductor.



Technical Specifications

Environmental conditions	
This product is designed to be safe under the following conditions:	
Location:	Indoor use
Ambient temperature:	-10°C .. +55°C
Relative humidity:	5% .. 85%, non condensing
Protection degree:	IP20
Only suitable for insulated conductor	
Application conditions	
Standard:	IEC61869-2
Rated short-time thermal current (I _{th}):	60 x I _n /1s
Continuous thermal current (I _{cth}):	100%
Rated insulation level:	0,72/3/-kV
Rated frequency:	50/60Hz
Class of insulation:	E (120°C)
Primary window dimensions:	TQ50-E max. Ø 42 mm TQ50-L max. 2 x Ø 42 mm
Secondary leads:	.../1A: L=5m cable 0,5mm ² flexible .../5A: L=3m cable 1,5mm ² flexible

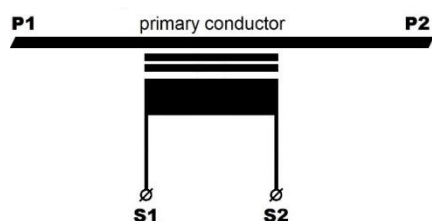
Ordering Specifications

Ratio	Class	Burden ¹⁾	Article number TQ50-E	Article number TQ50-L
250/1A	1	0.5VA	4Q5R10	4Q5M10
300/1A	1	0.5VA	4Q5R11	4Q5M11
400/1A	0.5	0.5VA	4Q5R12	4Q5M12
500/1A	0.5	0.5VA	4Q5R13	4Q5M13
600/1A	0.5	0.5VA	4Q5R14	4Q5M14
750/1A	0.5	0.5VA	4Q5R15	4Q5M15
800/1A	0.5	0.5VA	4Q5R16	4Q5M16
1000/1A ²	0.5	0.5VA	4Q5R17	4Q5M17
400/1A	3	5VA	4Q5S12	4Q5N12
600/1A	3	5VA	4Q5S14	4Q5N14
800/1A	3	5VA	4Q5S16	4Q5N16
1000/1A ²	3	5VA	4Q5S17	4Q5N17
300/5A	1	0.5VA	4Q5E61	4Q5L61
400/5A	1	0.5VA	4Q5E62	4Q5L62
500/5A	1	0.5VA	4Q5E63	4Q5L63
600/5A	0.5	0.5VA	4Q5E64	4Q5L64
750/5A	0.5	0.5VA	4Q5E65	4Q5L65
800/5A	0.5	0.5VA	4Q5E66	4Q5L66
1000/5A ²	0.5	0.5VA	4Q5E67	4Q5L67
400/5A	3	5VA	4Q5S62	4Q5N62
800/5A	3	5VA	4Q5S66	4Q5N66

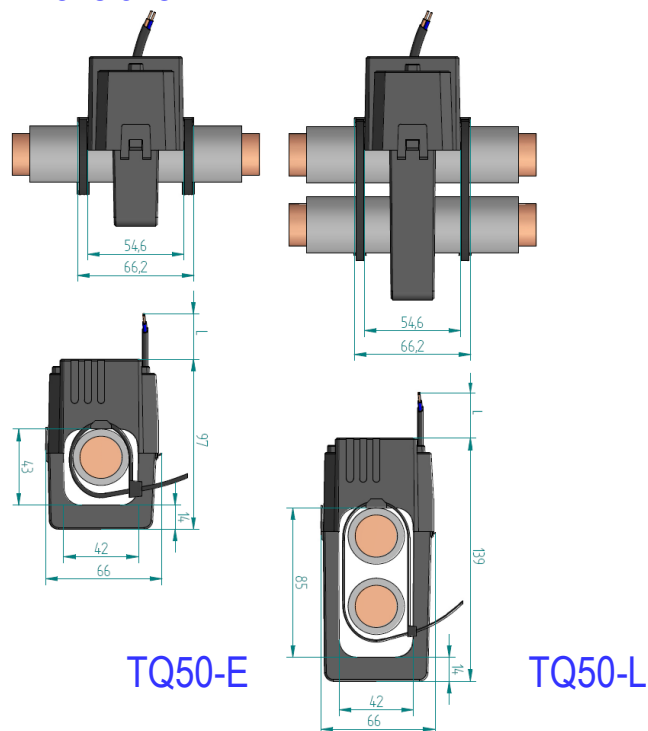
¹⁾ Burden specified at the end of the secondary leads

²⁾ Ambient temperature -10°C .. +40°C

Wiring Diagram



Dimensions



Ref. 2

