



## Ex belt alignment switch

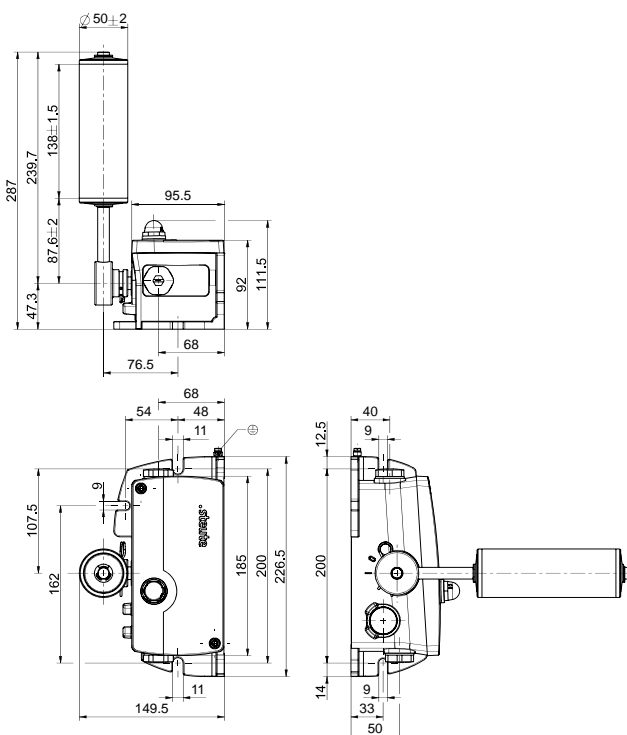
### Ex ZS 92 SR 22 P L -20°C-3D

Material number: 1306727

#### Features/Options:

- Ex zone 22
- Temperature resistant from -20 °C to +55 °C
- Corrosion-resistant aluminium enclosure
- Screws and belt-alignment roller made of stainless steel
- With staggered contacts, adjustable from 5° to 35°
- Belt alignment lever adjustable in 12° steps using a self-locking mechanism
- Back and base mounting possible
- Indicator lamp 24 VAC/DC (red)

#### Dimensions



#### Technical data

Applied standards	EN 60947-5-1, EN 60079-0, EN 60079-31
Enclosure	aluminium, corrosion-resistant, powder-coated, passivated, impact resistant, anthracite grey, similar to RAL 7016
Cover	aluminium, corrosion-resistant, powder-coated, passivated, impact resistant, signal yellow, similar to RAL 1003
Actuator	stainless steel
Calotte	polycarbonate, impact resistant, self-extinguishing UL 94 V-0, red transparent
Tightening torque	cover screws: max. 2.5 Nm actuator screw: max. 15 Nm
Degree of protection	IP 66 (EN 60079-0 + IEC/EN 60529)
$B_{10d}$ (10 % load)	2 million
$T_M$	max. 20 years
Contact material	silver
Switching elements	2 NC/2 NO contacts, type Zb
Switching system	snap action, positive break NC contacts $\ominus$
Switching points	adjustable 5° to 35°; pre-adjustment setting 2 x 10°
Connection	screw connection terminals
Cable cross-section	min. 0.5 mm <sup>2</sup> , max. 2.5 mm <sup>2</sup> (incl. conductor ferrules)
Cable entry	2 x M25 x 1.5
Rated impulse withstand voltage $U_{imp}$	6 kV
Rated insulation voltage $U_i$	250 V

Errors and omissions excepted.

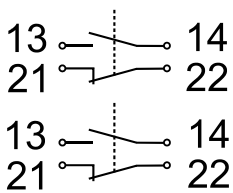


Ex belt alignment switch  
 Ex ZS 92 SR 22 P L -20°C-3D  
 Material number: 1306727

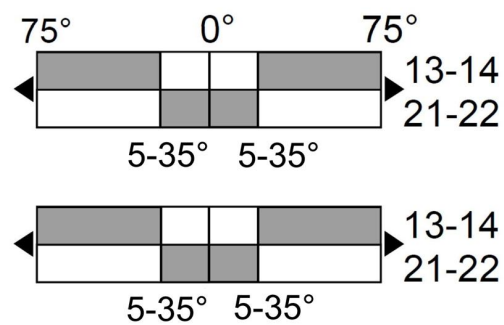
## Technical data

Conventional thermal current $I_{the}$	2 A / 4 A / 6 A
Conditional short-circuit current	1100 A
Utilisation category	AC-15
Rated operating current/voltage $I_e/U_e$	max. 2 A/4 A/6 A / 250 VAC
Short-circuit protection	2 A / 4 A / 6 A gG/gN fuse
Mechanical life	> 1 000 000 operations at max. 45° operating angle
Operation cycles	max. 600/h
Ambient temperature	-20 °C ... +55 °C max. 2 A, -20 °C ... +50 °C max. 4 A, -20 °C ... +45 °C max. 6 A
Degree of pollution	3
Rated operating voltage range $U_B$	Indicator lamp: 24 VAC/DC +10/-15 %
Rated operating current $I_e$	Indicator lamp: ~ 15 mA
Ex marking	⊕ II 3D Ex tc IIIC T80°C Dc

## Contact diagram



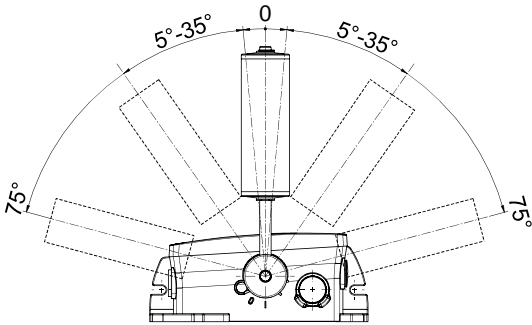
## Switching diagram





Ex belt alignment switch  
Ex ZS 92 SR 22 P L -20°C-3D  
Material number: 1306727

## Switching points



Errors and omissions excepted.