



Inductive Sensors Series 30 - NAMUR EN 60947-5-6

Housing M 30 x 1.5

- Housing material: Brass
- For use in areas with the risk of gas explosion, zone 0
- Sensing distance $S_n = 10$ mm

DMT 03 ATEX E 048

IECEx BVS 07.0031

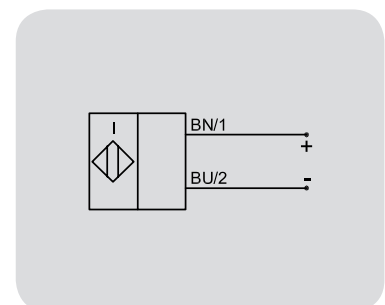
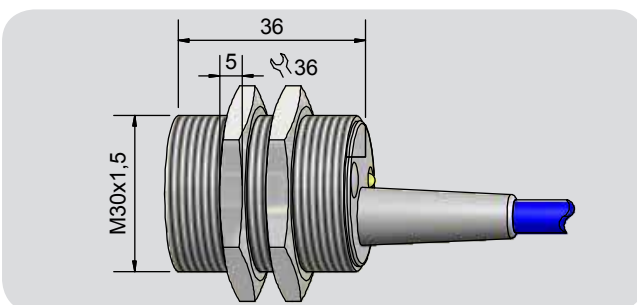
Ex II 1G Ex ia IIC T1-T6 Ga

Ex ia IIC T1-T6 Ga



Technical data	Flush mountable
Operating distance S_n	10 mm
Electrical version	2-wire DC
Output	NAMUR EN 60947-5-6
Type current	IAS-30-A14/36-N-M30-PVC/MS-Z30-0-1G
Type	IAS-30-A14-N
Art.-No.	IA 0170
Operating voltage (U_b)	5 - 15 V DC, $U_i = 15$ V DC
Output current active surface free	> typ. 2 mA
Output current active surface covered	< typ. 1.5 mA
Self-inductance (L)	2 mH
Self-capacitance (C)	250 nF
Permitted residual ripple max.	5 %
Frequency of operating cycles max.	1 kHz
Permitted ambient temperature	-20...+70 °C
LED-display	Yellow
Degree of protection IEC 60529	IP 67
Connection cable	30 m PUR, 2 x 0.75 mm ²
Housing material	Brass
Active surface	PVC
Lid	PA / PPO
Accessories (delivered with the sensor)	2 nuts M 30 x 1.5

All specifications are subject to change without notice. (27.03.2019)



Made in Germany