



Inductive Sensors Series 10 - PNP-StEx-ATEX

Housing M 18 x 1

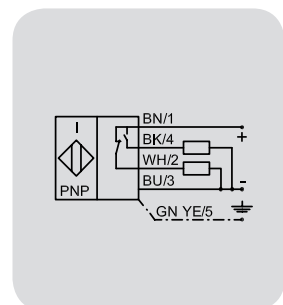
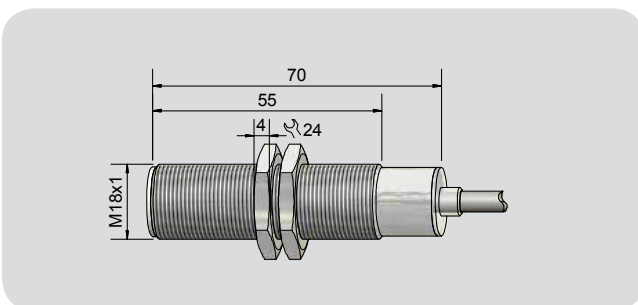
- For use in areas with the risk of dust explosion, zone 20
- For use in areas with the risk of gas explosion, zone 1
- Sensing distance S_n 5 mm

DMT 01 ATEX E 157	IECEX BVS 07.0015
Ex II 2 G Ex mb IIC T4 Gb	Ex mb IIC T4 Gb
Ex II 1/2 D Ex ta/tb IIIC T101°C Da/Db	Ex ta/tb IIIC T101°C Da/Db



Technical data	Flush mountable
Operating distance S_n	5 mm
Electrical version	4-wire DC
Output function	Antivalent
Type PNP current	IAS-10-A13-A-M18-PTFE/Ms-90C-Z10-0-2G-1/2D
Type PNP	IAS-10-A13-A-StEx
Art.-No.	IA 0210
Operating voltage (U_B)	10...30 V DC
Output current max. (I_o)	2 x 150 mA
Voltage drop max. (U_d)	≤ 2.5 V
Permitted residual ripple max.	10 %
No-load current (I_o)	Typ. 15 mA
Frequency of operating cycles max.	2 kHz
Permitted ambient temperature	-20...+90 °C
LED-display	Green / yellow
Protective circuit	Built-in
Degree of protection IEC 60529	IP 67
Norm	EN 60 947-5-2
Connection cable	10 m, PVC, 5 x 0.14 mm ²
Housing material	Brass
Active surface	PTFE (FDA 21 CFR 155.1550)
Lid	PC (FDA 21 CFR 155.1580)
Accessories (is delivered with the unit)	2 nuts M 18 x 1

All specifications are subject to change without notice. (10.07.2018)



Made in Germany