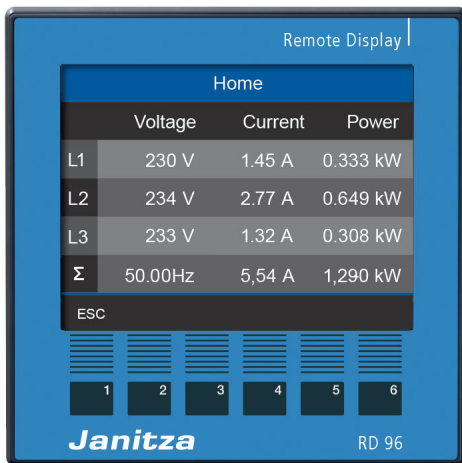


Remote display

**RD 96**

**Data Sheet**

Remote Display RD 96



RD 96 Remote Display – External Display

Doc. no.: 2.029.010.1.a

Date: 07/2021

The German version is the original edition of the documentation

## Subject to technical changes.

The contents of our documentation have been compiled with great care and reflect the current state of the information available to us. Nonetheless, we wish to point out that updates of this document are not always possible at the same time as technical refinements are implemented in our products. Please see our website under [www.janitza.de](http://www.janitza.de) for the current version.

Please see our website under [www.janitza.de](http://www.janitza.de) for the current version.

# DEVICE VIEWS

- The figures are for illustration purposes only and are not to scale.
- All dimensions in mm (in).

Abb. Bottom view

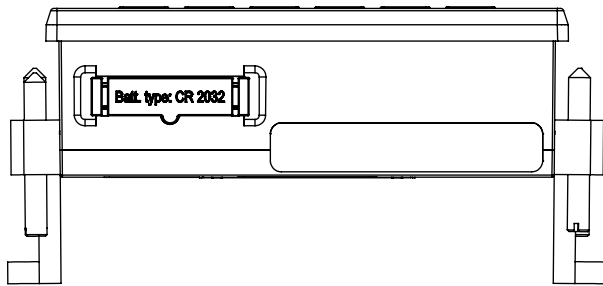


Abb. Front view

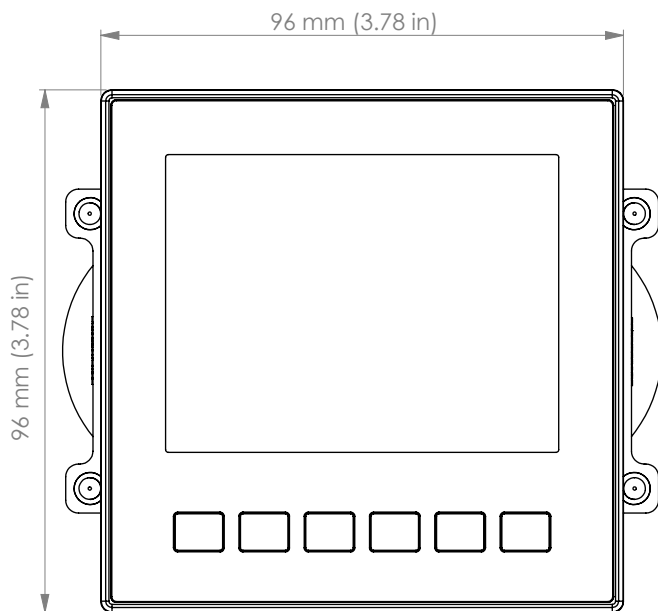


Abb. Side view

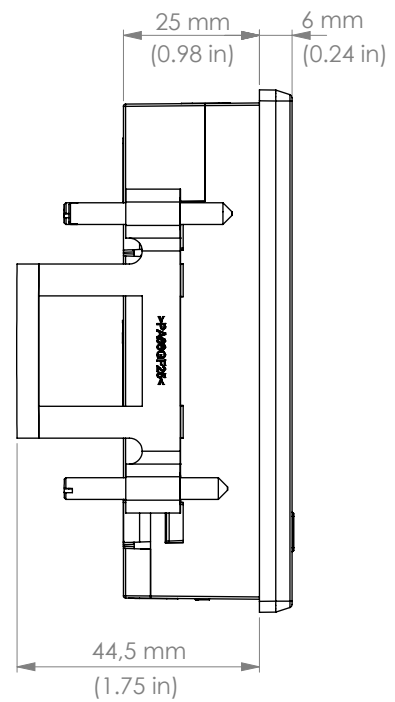


Abb. Top view

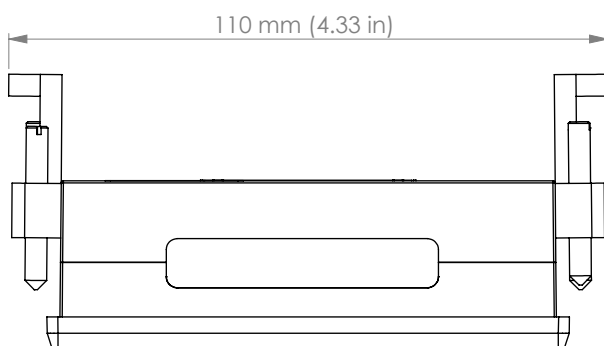


Abb. Rear view

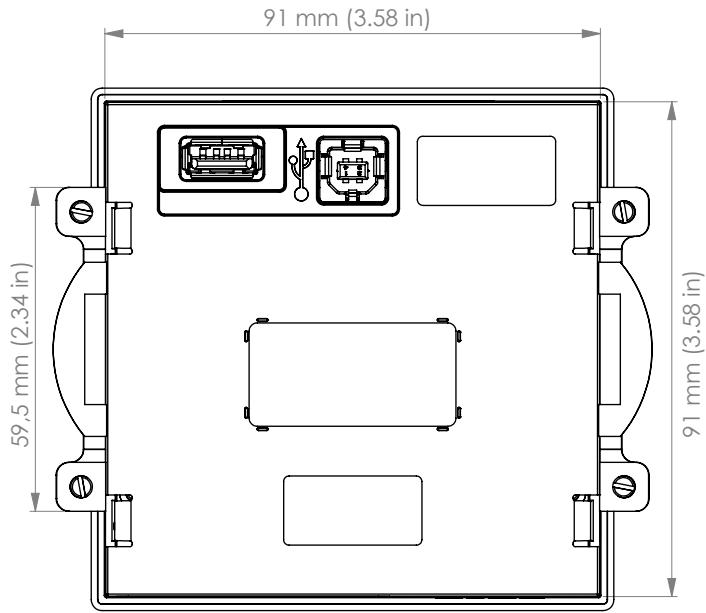
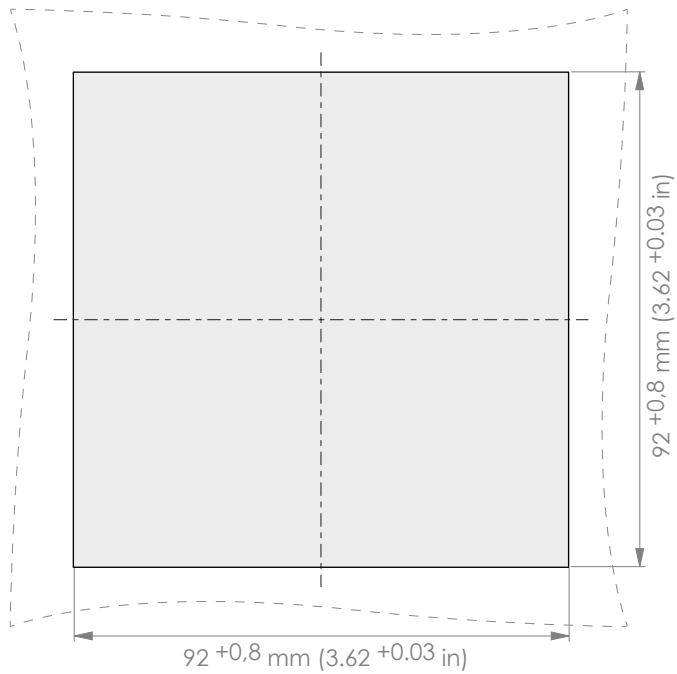


Abb. Cutout dimensions



## TECHNICAL DATA

<b>General</b>	
Net weight	approx. 140 g (0.31 lbs)
Package weight (incl. accessories)	approx. 440 g (0.97 lbs)
Dimensions W x H x D without mounting clamps	96 mm x 96 mm x 30 mm (3.78 in x 3.78 in x 1.18 in)
Backlight service life	40000 h (after 40000 h the backlight goes down to approx. 50%)
Impact resistance	IK07 according to IEC 62262

<b>Transport and storage</b>	
The following specifications apply for devices transported and stored in the original packaging.	
Free fall	1 m (39.37 in)
Temperature	-25° C (-13 °F) to +70° C (158 °F)
Relative air humidity (non-condensing)	0 to 90% RH

<b>Environmental conditions during operation</b>	
Install the device in a weather-protected and stationary location. Protection class II according to IEC 60536 (VDE 0106, Part 1).	
Rated temperature range	-10 °C (14 °F) to +55 °C (131 °F)
Relative air humidity (non-condensing)	0 to 75% RH
Operating elevation	0-2000 m (6562 ft) above sea level
Pollution degree	2
Mounting orientation	As desired
Ventilation	No forced ventilation required.
Protection against foreign matter and water - Front - Rear - Front with seal	IP40 according to EN60529 IP20 according to EN60529 IP54 according to EN60529

<b>Serial interface (USB)</b>	
USB 2.0 (type A)	1x
USB 2.0 (type B)	1x
Supply voltage	DC 5 V
Nominal current	200 mA
Operating range	+5% of nominal range
Power consumption	1 W

<b>USB cable</b> (included in delivery)	
USB 2.0 (type A to type B connector)	1.8 m (1.97 yd)

### **INFORMATION**

Detailed information on the device functions and data can be found in the usage information enclosed with the device or is available for download at [www.janitza.de](http://www.janitza.de).

Janitza electronics GmbH  
Vor dem Polstück 6  
D-35633 Lahnau  
Support tel. +49 6441 9642-22  
Email: [info@janitza.de](mailto:info@janitza.de)  
[www.janitza.de](http://www.janitza.de)

**Janitza<sup>®</sup>**