



Capacitive Sensors Series 80 - PNP - StEx- ATEX

Housing M 32 x 1.5

- Housing material: Stainless steel VA No. 1.4305 / AISI 303
- For use in areas with the risk of dust explosion, zone 20
- For use in areas with the risk of gas explosion, zone 1
- Sensing distance 3...30 mm adjustable

DMT 01 ATEX E 157	IECEX BVS 07.0015
II 2 G Ex mb IIC T4 Gb	Ex mb IIC T4 Gb
II 1/2 D Ex ta/tb IIIC T101°C Da/Db	Ex ta/tb IIIC T101°C Da/Db

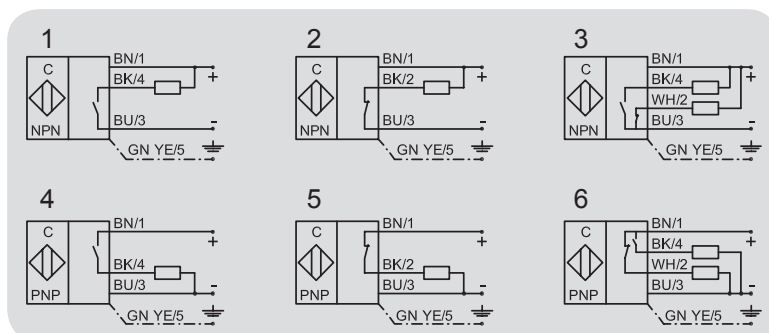
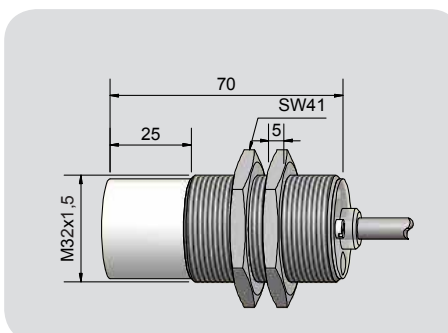


Technical data	Non-flush mountable
Operating distance S_n	25 mm
Operating distance min. / max. adjustable	3...30 mm
Electrical version	4-wire DC
Output function	Antivalent
Type PNP	KAS-80-34-A-M32-StEx
Art.-No.	KA 1184
Connection diagram No.	6
Operating voltage (U_B)	10...30 V DC
Voltage drop max. (U_d)	≤ 2.0 V
Permitted residual ripple max.	10 %
Operating current (I_e)	2 x 0...150 mA
No-load current (I_0)	Typ. 15 mA
Frequency of operating cycles max.	50 Hz
Permitted ambient temperature	-20...+70 °C
LED-display	Green / yellow
Protective circuit	Built-in
Degree of protection IEC 60529	IP 67*
Norm	EN 60947-5-2
Connection cable	3 m, PVC, 5 x 0.34 mm ²
Housing material	VA No. 1.4305 / AISI 303
Active surface	PTFE (FDA 21 CFR 177.1550)
Lid	PC (FDA 21 CFR 177.1580)
Media optimized	Yes
Accessories (is delivered with the unit)	2 nuts M 32

This sensor is supplied with a pre-adjusted sensing distance of S_n 25 mm (norm target).

The potentiometer screw is not sealed.

* With sealed potentiometer screw



Made in Germany