



## Capacitive Sensors Serie 40 - NAMUR EN 60947-5-6

Housing: Triclamp

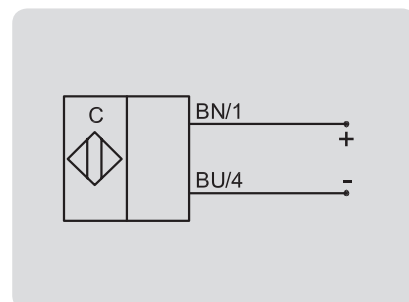
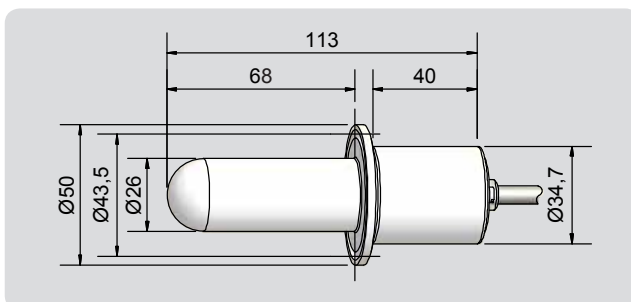
- For use in areas with the risk of dust explosion, zone 20
- For use in areas with the risk of gas explosion, zone 0
- Housing material: PTFE
- SIP / CIP 121 °C

DMT 03 ATEX E 048	IECEX BVS 07.0031
II 1G Ex ia IIC T1-T6 Ga	Ex ia IIC T1-T6 Ga
II 1D Ex ia IIIC T101°C Da	Ex ia IIIC T101°C Da



<b>Technical data</b>	Non-flush mountable
Operating distance $S_n$	In contact with the product
Operating distance min. / max. adjustable	0...15 mm
Electrical version	2-wire DC
Output	NAMUR DIN 60947-5-6
<b>Type</b>	<b>KAS-40-26-N-K-Tri-PTFE-StEx</b>
<b>Art. No.</b>	<b>KA 1234</b>
Operating voltage ( $U_B$ )	5 - 15 V DC, $U_i = 15$ V DC
Output current active surface free	< typ 1.5 mA
Output current active surface covered	> typ. 3 mA
Self-inductance (L)	0.2 mH
Self-capacitance (C)	250 nF
Permitted residual ripple max.	5 %
Frequency of operating cycles max.	50 Hz
Permitted ambient temperature	0...+70 °C/ CIP 121 °C (zero-current)
LED-display	Yellow
Degree of protection IEC 60529	IP 67
Connection cable	5 m, PUR, 2 x 0.75 mm <sup>2</sup>
Housing material	PTFE (FDA 21 CFR 177.1550)
Active surface	PTFE (FDA 21 CFR 177.1550)
Lid	PC (FDA 21 CFR 177.1580)
Media optimized	Yes

**Accessory:** Stainless steel welding nipple DN 25 # 190 751, Sealing gasket # 190 752, Triclamp mounting clamp # 190 750 (not supplied with the sensor)



**Made in Germany**

All specifications are subject to change without notice. (30.06.2015)