



## Capacitive Sensors with Analogue Output Series 80 - PNP

**Output current** 4...20 mA / 20...4 mA  
**Voltage output** 0...10 V / 10...0 V

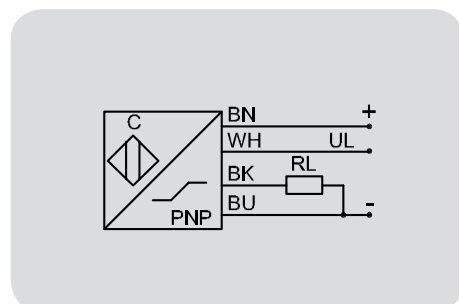
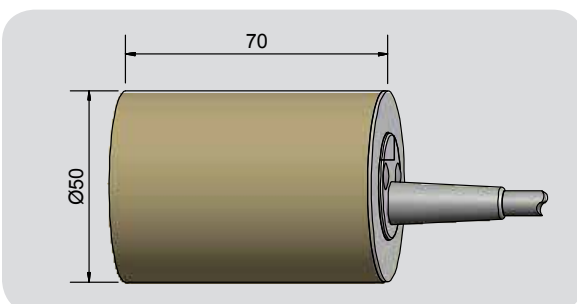
- Housing Ø 50mm
- Housing material: PEEK
  - Operating range 0...40 mm
  - Current and voltage output in the same sensor.



Technical data	Flush mountable
Operating range	0...40 mm
Linear range	0...30 mm
Electrical version	4-wire DC
Output function	Analogue
<b>Type Analogue</b>	<b>KAS-80-50-IL4/UL0-K-PEEK</b>
<b>Art. No.</b>	<b>KA 1385</b>
Operating voltage (U <sub>B</sub> )	15...30 V DC
Output signal	4...20 mA, 0...10 V
Permitted residual ripple max.	5 %
No-load current (I <sub>0</sub> )	≤ 40 mA
Output current active surface free	≤ 4 mA
Output current active surface covered	≥ 20 mA
Load resistor (R <sub>L</sub> )	0...600 Ω
Permitted ambient temperature	0...+70 °C
LED-display	Yellow / green
Protective circuit	Built-in
Degree of protection IEC 60529	IP 67*
Norm	EN 60947-5-2**
Connection cable	2 m, PVC, 4 x 0.5 mm <sup>2</sup>
Housing material	PEEK (FDA 21 CFR 177.2415)
Active surface	PEEK (FDA 21 CFR 177.2415)
Lid	PA / PPO
<b>Accessories</b> for mounting (not delivered with the sensor) please see our selection of accessories.	

\* With sealed potentiometer screw

\*\* Where applicable



**Made in Germany**