



Capacitive Sensors with analogue output Series 40 - NAMUR EN 60947-5-6

Housing M 12 x 1

- For use in areas with the risk of gas explosion, zone 0
- For use in areas with the risk of dust explosion, zone 20
- Housing material: Stainless steel VA
- Sensing distance 1...4 mm adjustable

DMT 03 ATEX E 048

IECEX BVS 07.0031

II 1G Ex ia IIC T1-T6 Ga

Ex ia IIC T1-T6 Ga

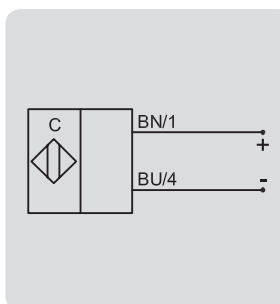
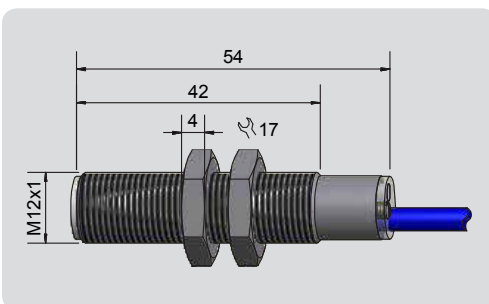
II 1D Ex ia IIIC T101°C Da

Ex ia IIIC T101°C Da



Technical data	Flush mountable
Operating distance S_n	2 mm
Operating distance min. / max. adjustable	1...4 mm
Electrical version	2-wire DC
Output function	NAMUR DIN 60947-5-6
Type	KAS-40-A12-N-StEx
Art. No.	KA 1417
Operating voltage (U_b)	5 - 15 V DC, $U_i = 15$ V DC
Output current active surface free	< typ 1.5 mA
Output current active surface covered	> typ. 2.5 mA
Self-inductance (L)	0.2 mH
Self-capacitance (C)	250 nF
Permitted residual ripple max.	5 %
Frequency of operating cycles max.	50 Hz
Permitted ambient temperature	-20...+70 °C
LED-display	Yellow
Degree of protection IEC 60529	IP 67*
Connection cable	2 m, PUR, 3 x 0.14 mm ²
Housing material	VA No. 1.4305
Active surface	PTFE (FDA 21 CFR 177.1550)
Lid	PC
Accessories (is delivered with the unit)	2 nuts M 12

* With sealed potentiometer screw



Matching Ex barriers can be offered on request.

When installing it is essential to protect against electrostatic charge build-up by ensuring that the metal body of the sensor is electrically grounded.

Made in Germany

All specifications are subject to change without notice. (25.07.2016)