

LevelMaster - Capacitive Sensors - S26 - Analogue Output 4 - 20 mA



Model G 1/2"

- For level control of conductive and/or viscous liquids or pastes, for instance oil, water, ketchup or honey.
- Ideal for level control in the Food Industry or Pharmaceutical Industry
- Housing material: Stainless steel VA No. 1.4305 (AISI 303)
- Adjustment of the sensitivity with ETW- Function (EasyTeach by Wire)
- With flange connector M 12 x 1
- Welding sockets and Varivent adapter available for EHEDG conform mounting.
- With programmable analogue output 4 - 20 mA



Technical data	Non-flush mountable
Sensitivity	Dielectric constant $\epsilon_r > 1.25$
Electrical version	3-pin DC
Output function	Analogue
Typ Analogue	KS-801-26/86-IL4-G1/2-PEEK/VAb-Y3-ETW-HP
Art. No.	KA 1473
Operating voltage (U_B)	12.5...35 V DC
Output signal	4...20 mA
Output current active surface free	≤ 4 mA
Output current active surface covered	≥ 20 mA
Load resistor (R_L)	0...600 Ohm
No-load current (I_0)	Typ. < 30 mA
Permitted ambient temperature	0...+70 °C / CIP 121 °C
Permitted product temperature	0...+100 °C
LED-display	Green / orange
Protective circuit	Built-in
Degree of protection IEC 60529	IP 67, IP 69K
Norm	EN 60947-5-2, EN 60947-5-7*
Connection	Connector M 12 x 1
Operating pressure	Max. 10 bar
Housing material	Stainless steel VA No. 1.4305 / AISI 303
Material active surface	PEEK (FDA 21 CFR 177.2415)

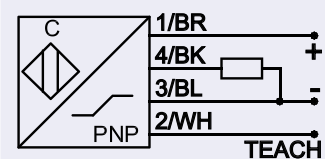
Accessories (not supplied with the sensor): Varivent Adapter art.No. 196395, Welding Socket art.No. 196394 and matching connectors please see our selection of accessories.

Capacitive Sensors of the S26 series with hemispherical active surface for analogue level control of products with a dielectric constant ϵ_r from 1,25. Products such as:

- Liquids, like, juice, wine, oil, chemicals or pharmaceutical solutions and much more.

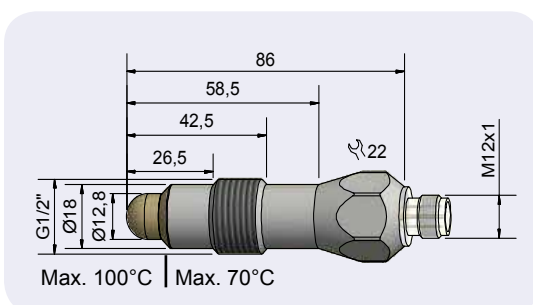
Highlights:

- EHEDG conform
- Applicable for quality control
- Permitted pressure on the active area: 10 bar



All specifications are subject to change without notice. (24.10.2017)

*Where applicable



EasyTeach chart:



Made in Germany