



Capacitive Sensors - S26 Series 80 - PNP - StEx - ATEX

Type of construction Triclamp DN 40

- For use in areas with the risk of dust explosion, zone 20
- Housing material: Stainless steel VA, No.1.4404 (AISI 316L) / PTFE
- With flange connector M 12 x 1

DMT 01 ATEX E 157

IECEX BVS 07.0015

Ex II 1/2 D Ex ta/tb IIIC T101°C Da/Db

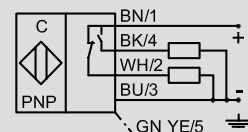
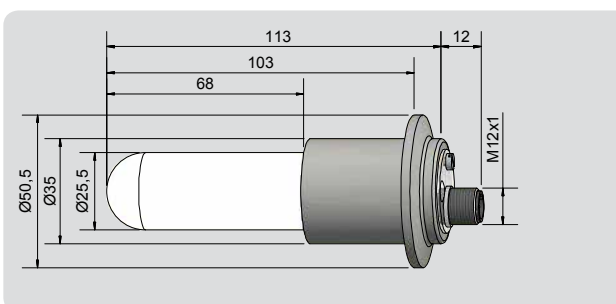
Ex ta/tb IIIC T101°C Da/Db



| | |
|--|---|
| Technical data | Non-flush mountable |
| Level sensor, in contact with the product | Medium dependent adjustable |
| Operating distance min. / max. adjustable | 0...20 mm |
| Electrical version | 4-pin DC |
| Output function | Antivalent |
| Type PNP current | KAS-80-26/113-A-Tri-PTFE/VAc-Y10-1-HP-1/2D |
| Type PNP | KAS-80-26-A-Tri-PTFE/VA-Y10-StEx |
| Art.-No. | KA 1487 |
| Operating voltage (U _B) | 10...30 V DC |
| Voltage drop max. (U _D) | ≤ 2.0 V |
| Permitted residual ripple max. | 10 % |
| Operating current (I _a) | 2 x 0...150 mA |
| No-load current (I _o) | Typ. 15 mA |
| Frequency of operating cycles max. | 50 Hz |
| Permitted ambient temperature | -20...+90 °C / CIP 121 °C |
| LED-display | Green / yellow |
| Protective circuit | Built-in |
| Degree of protection IEC 60529 | IP 67* |
| Norm | EN 60947-5-2 |
| Connection | Flange connector M 12 x 1 (A-coded) |
| Housing material | Stainless steel VA No.1.4404 / AISI 316L (FDA conforming) |
| Active surface | PTFE (FDA 21 CFR 177.1550) |
| Lid | PC |
| Media optimized | Yes |
| Accessories (not delivered with the sensor): For matching connectors please see our selection of accessories. | |

Capacitive Sensors S26 with hemispherical active surface for level control of products with a dielectric constant ϵ_r from 1,1. Products can be:

- Bulk material, like plastic granules, powder, cereals, etc.
- Liquids, like water, juice, wine, oil, chemicals or pharmaceutical solutions and much more.
- Pastes in the food, pharmaceutical and cosmetics industry



* With sealed potentiometer screw

Made in Germany