



Capacitive Sensors - S26 Series 80 - PNP - IO-Link

Type of construction G 1"

- Housing material: PTFE
- With flange connector M 12 x 1
- Operating distance adjustable with EasyTeach by Wire
- Optical guidance during the teach process with the aid of a 2-colour LED



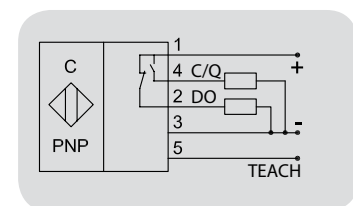
Technical data	Non-flush mountable
Level sensor, in contact with the product	Medium dependent adjustable
Operating distance min. / max. adjustable	0...20 mm
Electrical version	4 - pin DC
Output function	Antivalent
Type PNP	KAS-80-26/113-A-G1-PTFE-IOL-Y10-ETW-HP
Art.-No.	KA 1534
Operating voltage (U_B)	10...35 V DC
Voltage drop max. (U_d)	≤ 2.0 V
Permitted residual ripple max.	10 %
Operating current (I_e)	2 x 0...250 mA
No-load current (I_o)	Typ. 15 mA
Frequency of operating cycles, standard	7 Hz
Frequency of operating cycles, adjustable with IO-Link	2...40 Hz
Permitted ambient temperature	-25...+70 °C / CIP 121 °C
LED-display	Green / yellow
Protective circuit	Built-in
Degree of protection IEC 60529	IP 67
Norm	EN 60947-5-2
Connection	Flange connector M 12 x 1
Housing material	PTFE (FDA 21 CFR 177.1550)
Active surface	PTFE (FDA 21 CFR 177.1550)
Lid	PA / PPO
Media optimized	Yes
Accessories (not delivered with the sensor): For varivent adapter, triclamp adapter, welding socket and matching connectors please see our selection of accessories.	

Capacitive Sensors S26 with hemispherical active surface for level control of products with a dielectric constant ϵ_r from 1,1. Products can be:

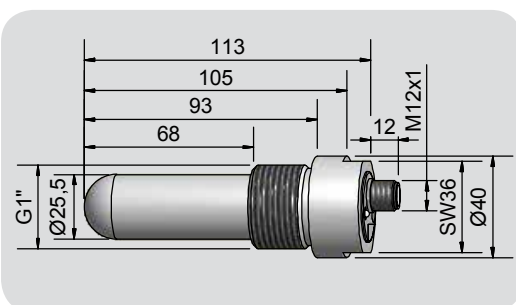
- Bulk material, like plastic granules, powder, cereals, etc.
- Liquids, like water, juice, wine, oil, chemicals or pharmaceutical solutions and much more.
- Pastes in the food processing industry, liquid glue, or resins, etc.

IO-LINK - INTERFACE

Device ID: 1d/000001h
Vendor ID: 1129d/0469h
Baudrate: COM 3 (230.4 kbaud)
Revision: 1.1
Profiles: Smart Sensor
SIO mode: yes
Port Class: A



All specifications are subject to change without notice. (23.05.2019)



EasyTeach chart: LED / Output function
Yellow = A1 Green = A2

- [Yellow pulse] Adjustment "empty"
- [Green pulse] Initializing "empty"
- [Yellow pulse] Adjustment "full"
- [Green pulse] Initializing "full"
- [Green pulse] Factory reset
- [Yellow pulse] Test

Made in Germany