



TRUE LeV&L Capacitive filling level probe - KFX
Analogue current output 4...20 mA / 20...4 mA

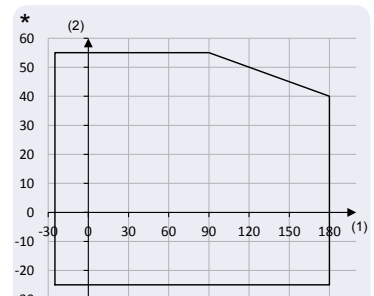
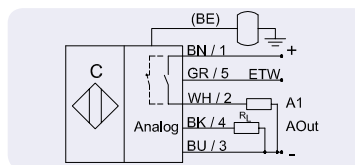
- Integrated evaluation electronics
- Adjustable with Easy Teach by keypad (ETF) / Easy Teach by wire (ETW)
- Housing material: GFK, Ø 16 mm
- Connection head / process connection: Aluminium / Stainless steel VA no. 1.4305 (AISI 303)
- Process connection G1"
- Additional output in the reference range (normally open / normally closed switchable)



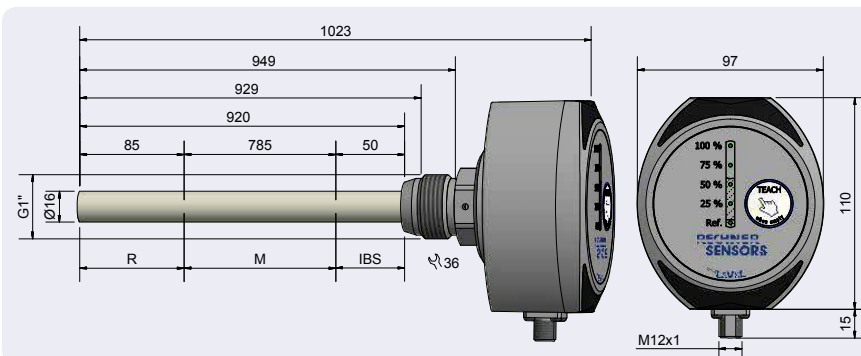
Technical data

Active zones [M]	865 mm
Output function	Analogue
Type	KFX-1-85-920-785-GFK/VAb/AL-D16-PHG1-IL-ET-Y10
Art.-No.	KF 0638
Operating voltage (U _b)	18...36 V DC
Operating current (I _b)	0...250 mA
Permitted residual ripple max.	25 %
Load resistance (R _L)	≤ 600 Ω
Power consumption (outputs no-load)	3 W
Analogue output	4...20 mA / 20...4 mA
Permitted ambient temperature	-25...+55 °C
Permitted product temperature	-25...+180 °C*
LED-Display	Green / blue
Protective circuit	Built-in
Degree of protection IEC 60529	IP 65
Norm	EN 60947-5-2*
Connection	Flange connector M 12 x 1 (5-pin)
Connection head / process connection	Aluminium / Stainless steel VA no. 1.4305 (AISI 303)
Housing material (active zone)	GFK
Lid	PC (FDA 21 CFR 177.1580)
For matching connectors please see our selection of accessories.	

*Where applicable



(1) Product temperature in °C
 (2) Ambient temperature in °C



Other housing materials for the active zone (probe), like PTFE or PEEK on request.

Made in Germany

All specifications are subject to change without notice. (23.01.2019)

CAPACITIVE LEVEL PROBE

EasyTeach ETW and ETF

CAPACITIVE LEVEL MEASURING PROBE WITH EASYTEACH FUNCTION COMPENSATION OF THE DIELECTRIC CONSTANT (DC).

The probe has a reference area for the compensation of the dielectric constant (DC). Thanks to this function the probe will be adjusted with empty container and it detects reliable the level of liquids or bulk material with a dielectric constant (DC) from $\epsilon_r > 1,2$.

It could not be easier

After the single setting on the empty container, the probe automatically adjusts itself to the material to be measured.

This saves the user a lot of time during the initial operation and is also particularly advantageous for applications with changing products.



- **EASYTEACH BY MEMBRANE FOIL (ETF) AND EASYTEACH BY WIRE (ETW)**
- **SENSITIVITY ADJUSTMENT WITH EMPTY CONTAINER.**
- **EASY AND QUICK COMMISSIONING**
- **COMPENSATION OF THE DIELECTRIC CONSTANT (DC)**

*Evaluation
Electronics integrated!*