



## Product Information Miniature Safety Edges

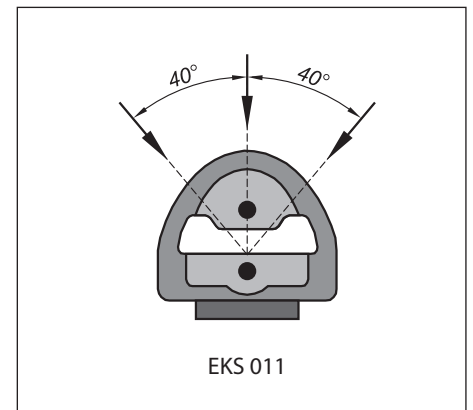
### Miniature Safety Edges ...

### Miniature Safety Edges (EKS) – the "invisible" protection against trapping and nipping

Tiny dimensions, enormous reliability.  
The Miniature Safety Edges are the result of consistent further development and miniaturisation of our Safety Edges which are well known for their reliability in safety applications. Endowed with the same safety and reliability features, the Miniature Safety Edges also have a visual advantage: absolutely tiny and the profile comes in almost any shape and size.

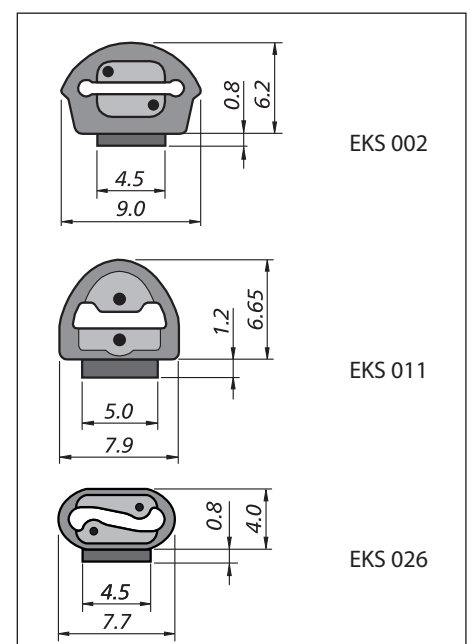
### ... inside values

- The heart of the Miniature Safety Edges is the switching chamber which is integrated in the profile. A small amount of pressure to the Miniature Safety Edge suffices to short-circuit two conductive areas which are separated from each other. A sure signal for the evaluating unit connected up.
- Electrically, the Miniature Safety Edge works on the closed circuit principle, i.e. a break in connection is recognized, the danger- bringing movement is brought to a halt.



### ... outside values

- In addition to the three standard shapes depicted we can also provide customized profiles.
- The design of the Miniature Safety Edge can be practically effortlessly adapted to suit the surroundings.
- The Miniature Safety Edge is in its element in places where only very short overtravel distances are possible.
- Thanks to the minimal dimensions (see to the right) the Miniature Safety Edge can be integrated into its surroundings in an optimal way.





## Product Information Miniature Safety Edges

### Miniature Safety Edges (EKS) – the "invisible" protection against trapping and nipping

#### ... diverse uses

##### Medical Technology

- Diagnostic equipment
- Radiation apparatus
- Electrically adjustable tables/chairs
- Movable protective hoods
- Rehabilitation equipment (Sports Medicine)

##### Elevator doors

Bus doors and electric roof lights (finger protection)

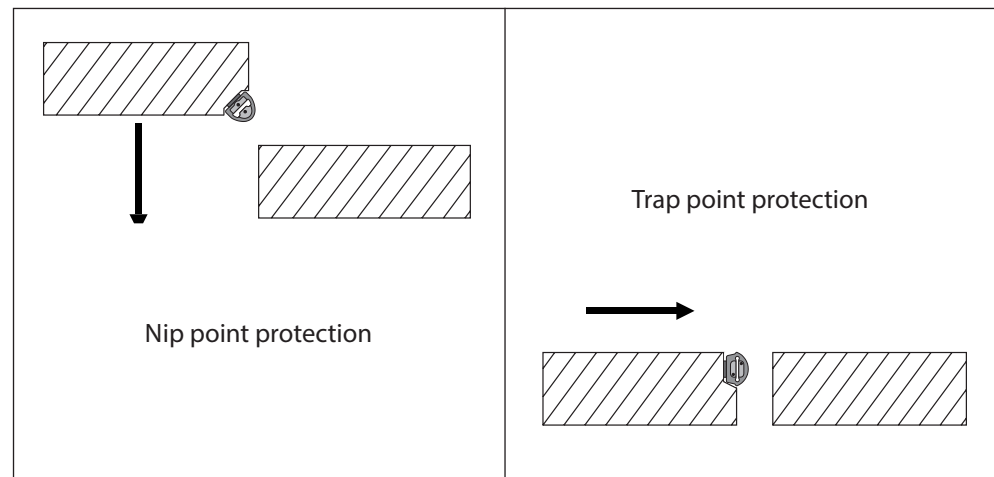
##### Electrically operated screens

- Cash dispensers
- Skylights
- Glass sliding doors

##### Electrically adjustable furniture

- Computer tables
- Recliners
- Electrically operated writing boards

#### ... sure performance



#### ... technical details

##### Distinctive features

- thermoplastic elastomer
- customized TPE-covering
- environment-friendly
- can be recycled

##### Electrical operating conditions

- max. voltage 24 V DC
- max. current 10 mA

##### Protection class

- IP65

##### Operating characteristics

- Response angle: > 90°  
(depends on shape of profile!)
- Actuating distance: ≤ 1,0 mm
- Actuating force: < 25 N  
(Test piece: Ø 200 mm)
- Actuating force: < 15 N  
(Test piece: Ø 4 mm)

##### Application temperatures

- 40 °C to + 80 °C  
(short-time exposure to temperatures up to + 95 °C also possible)