

Part number

MKAS VA25



Hood, EMC series, with 2 pegs, M25 side cable entry, size "21.21"

Product description

Product type	Hood
Series	EMC
Closing type	With 2 pegs
Size	Size "21.21"
Cable entry	Side cable entry M25

Technical data

IP degree of protection IP44 - IP66 / IP67 / IP69 with CKR 65 (D)

Further technical details

Operating temperature range (min, max) -40°C...+125°C

Material properties

Main material	Zinc die-cast
Colour	RAL 7040 grey
RoHs conformity	Compliant
China RoHs - EFUP	E
REACH SVHC substances	No

General ordering information

EAN13 code	8015747291293
eCl@ss 8.1	27440202
ETIM 7.0	EC000437

Packaging Information

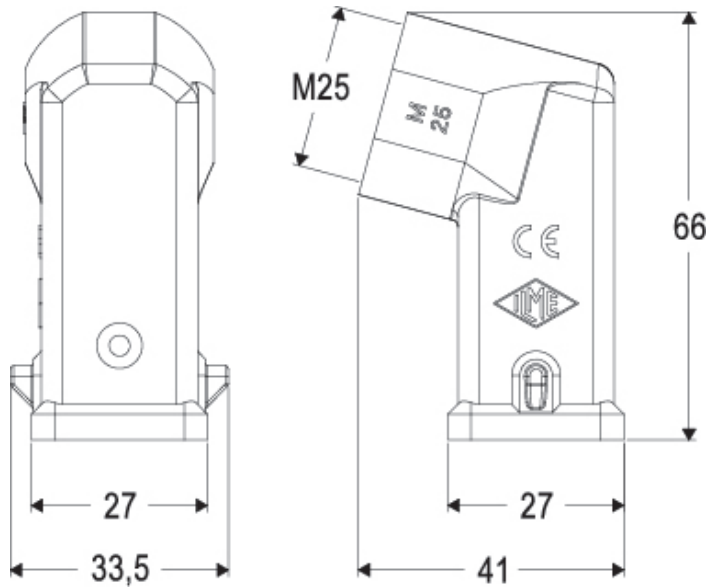
Sub-packaging length	185,00 mm
Sub-packaging height	40,00 mm
Sub-packaging width	155,00 mm
Sub-packaging volume	1,15 dm ³
Sub-packaging description	Carton box
Sub-packaging quantity	10 Pcs
Sub-packaging EAN barcode	8015747291309

Part number

MKAS VA25



Catalogue drawings



Notes

AVAILABLE FROM: FEBRUARY 2023

Dimensions shown in mm are not binding and may be changed without notice.
