

Part number

MKAW VA25



Hood, W-TYPE series, with 2 pegs, M25 side cable entry, size "21.21"

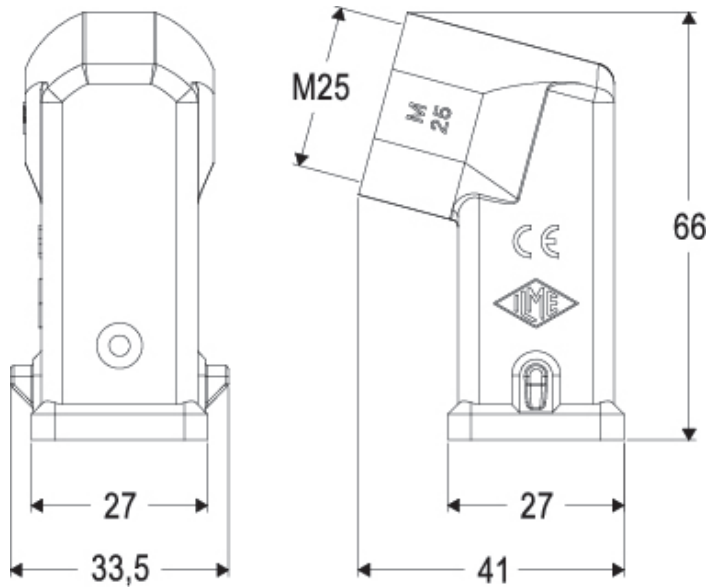
Product description		Material properties	
Product type	Hood	Main material	Zinc die-cast
Series	W-TYPE	Colour	RAL 9005 black
Closing type	With 2 pegs	RoHs conformity	Compliant
Size	Size "21.21"	China RoHs - EFUP	E
Cable entry	Side cable entry M25	REACH SVHC substances	No
Technical data		General ordering information	
IP degree of protection	IP44 - IP66 / IP67 / IP69 with CKR 65 (D)	EAN13 code	8015747291316
Further technical details		eCl@ss 8.1	27440202
Operating temperature range (min, max)	-40°C...+125°C	ETIM 7.0	EC000437
		Packaging Information	
		Sub-packaging length	185,00 mm
		Sub-packaging height	40,00 mm
		Sub-packaging width	155,00 mm
		Sub-packaging volume	1,15 dm ³
		Sub-packaging description	Carton box
		Sub-packaging quantity	10 Pcs
		Sub-packaging EAN barcode	8015747291323

Part number

MKAW VA25



Catalogue drawings



Notes

AVAILABLE FROM: FEBRUARY 2023

Dimensions shown in mm are not binding and may be changed without notice.
