

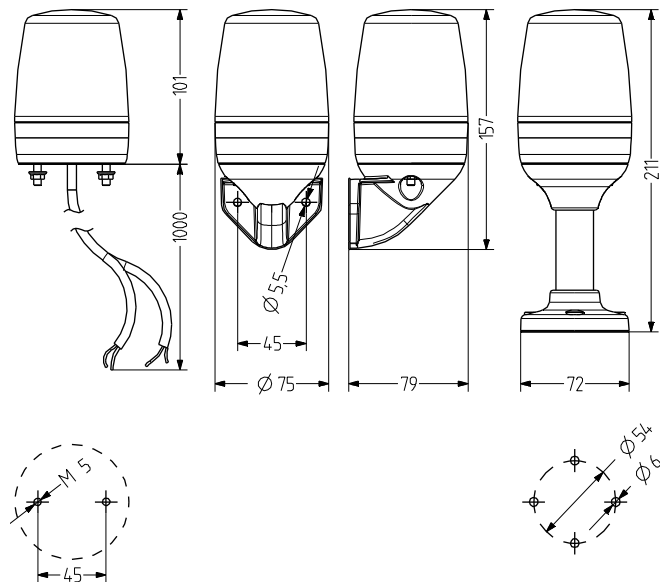
PMH LED 3 colour beacon

- Ø 75 mm LED multi-colour beacon
- Steady light, RED-YELLOW-GREEN, can be switched externally
- Prewired with 1 m PUR cable – ready to use
- High degree of protection IP 66 & IP 67
- Modern LED technology and electronics
- Good signalling effect
- Premounted stainless-steel fixing screws
- 3 types of mounting, for industrial and general applications



TECHNICAL DATA

| | |
|-----------------------|--|
| Housing | Ø 75 mm, 100 mm High lens , Polycarbonate black (RAL 9005) |
| Lens | Polycarbonate, ribbed inside clear |
| Type of mounting | any |
| Cable entry | pre-wired (1 m cable) |
| Leakage current | 0,003 A (PLC-suitable) |
| Beacon type | LED multi colour steady beacon |
| Light source | 16 LEDs |
| Number of colours | 3 |
| Duty cycle | 100 % |
| Service life | Light source: >50.000 h |
| Operating temperature | -30°C/+60°C |
| Degree of protection | IP66 & IP67 |
| Impact resistance | IK08 |
| Weight | 200 g |



PMH

ORDER DATA

| Lens colour | Nominal voltage | Voltage range (V) | Nominal current (A) | Order number |
|-------------|-----------------|-------------------|---------------------|--------------|
| clear | 24 V AC/DC | 16-28 V AC | 0,120 | 860 550 405 |
| | | 21-35 V DC | | |
| | 110-120 V AC | 75-132 | 0,065 | 860 550 310 |
| | 230-240 V AC | 140-264 | 0,065 | 860 550 313 |



PMR



PVW



XWR

ACCESSORIES

| Type | Type of accessory | Tube length | Weight | Order number |
|------|--|-------------|--------|--------------|
| PMR | Tube base Aluminium tube with plastic foot | 100 mm | | 860 702 900 |
| | | 250 mm | | 860 703 900 |
| PVW | Bracket for vertical mounting | | | 860 600 900 |
| XWR | Bracket for vertical mounting of TMR/UMR tube base | | 95 g | 900 600 900 |

