



## Accessories for emergency pull-wire switches Pulley Multiflex 4R Material no.: 1377311

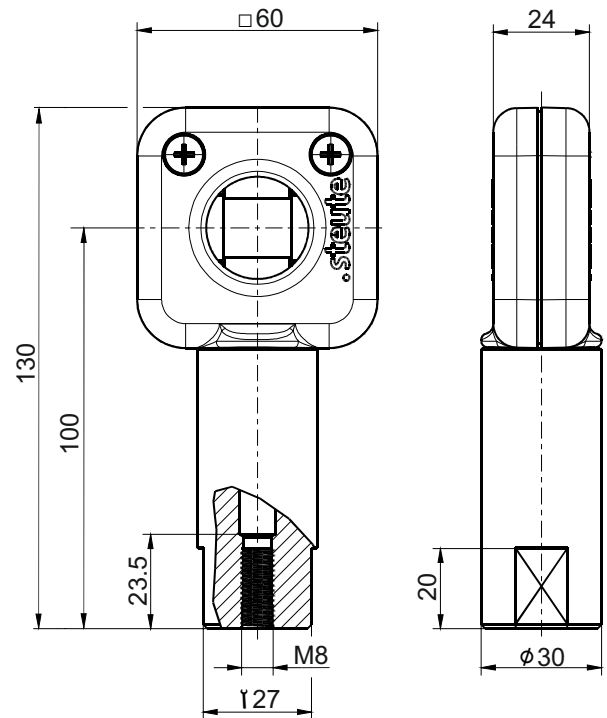
### Product features

- To guide the pull-wire up to 90°
- Low friction
- Flexible installation
- Rotating head (360°) automatically adjusts the wire even when the wire is pulled
- Movable rollers inside the opening of the pulley
- Suitable for mounting of pull-wire systems on inside and outside radiuses of conveyor systems

### Notes

- Fastenings not included in delivery

### Dimensions



### Technical data

**Enclosure**  
thermoplastic, glass-fibre reinforced, shockproof, yellow

**Spacer**  
aluminium

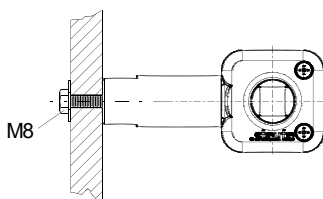
**Rollers**  
thermoplastic, black

**Rope diameter**  
4 - 5 mm (wire rope with thermoplastic coating)

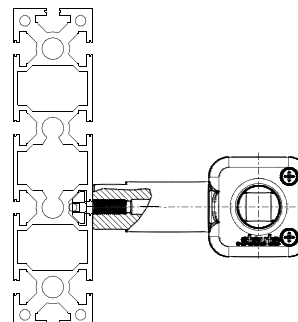
**Ambient temperature**  
-45 °C ... +85 °C

**Weight**  
200 g

### Installation option 1



### Installation option 2



Errors and omissions excepted.



Accessories for emergency pull-wire switches  
Pulley Multiflex 4R  
Material no.: 1377311

Rotating head

---



Application example

---

