



Wireless laser sensor RF 96 SDS SW868 LBT Material number: 1229449

Features/Options:

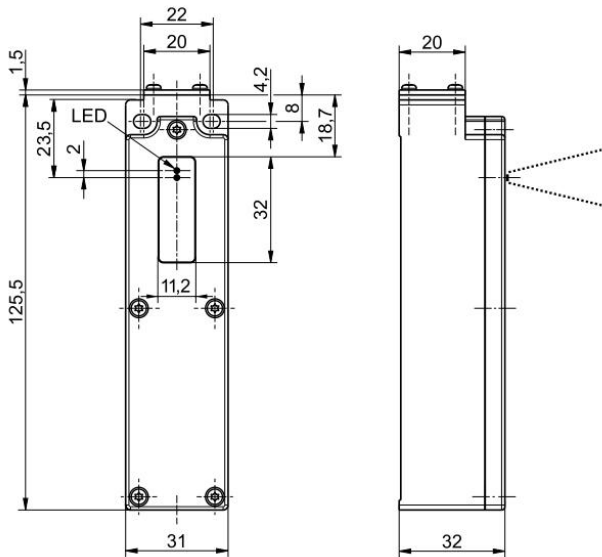
- sWave® wireless technology
- Power supply by Lithium battery (replaceable)
- Easy programming of receiver

Notes

- Factory delivery with battery type SL-760 (AA)

- LBT - Listen before Talk software (necessary in conjunction with potential interference)

Dimensions



Technical data

Applied standards	EN 60947-5-2, EN 55011, EN 61000-6-2, EN 61000-6-3, EN 301 489-1, EN 301 489-3, EN 300 220-1, EN 300 220-2
Enclosure	thermoplastic, glass-fibre reinforced, impact resistant, self-extinguishing UL 94 V-0
Tightening torque	M4 enclosure mounting screws: max 1.2 Nm M2.5 cover screws: approx. 0.45 Nm
Degree of protection	IP 54 to IEC/EN 60529
Protocol	sWave®
Frequency	868.3 MHz (Europe, China)
Transmission power	< 25 mW
Data rate	66 kbps
Channel bandwidth	480 kHz
Voltage supply	lithium battery Tadiran SL-2770 (replaceable)
System	Li/SOCl ₂
Nominal voltage	3.6 V
Nominal capacity	8.5 Ah
Battery life	Typical values with default settings. Actuation interval 10 s - approx. 3.9 years 100 s - approx. 4.1 years 1,000 s - approx. 4.2 years 10,000 s - approx. 4.2 years N.B.: Changes in battery lifetime are almost linear to changes in cycle time.
Alternatively:	
Voltage supply	lithium battery Tadiran SL-760 (replaceable)

Errors and omissions excepted.



Wireless laser sensor
RF 96 SDS SW868 LBT
Material number: 1229449

Technical data

System	Li/SOCl ₂
Nominal voltage	3.6 V
Nominal capacity	2.2 Ah
Battery life	Typical values with default settings. Actuation interval 10 s - approx. 1.0 years 100 s - approx. 1.1 years 1,000 s - approx. 1.1 years 10,000 s - approx. 1.1 years N.B.: Changes in battery lifetime are almost linear to changes in cycle time.
Sensor	logging with IR laser
Laser class	Class 1 to EN 60825-1; 950 nm
Ambient temperature	0 °C ... +65 °C
Operation cycles	max. 7200 telegrams with repetitions/h
Switching frequency	0.33 Hz
Switching distances	25 cm
Accuracy	± 20 mm
Field of view	27°
Cycle time	3 s
Hysteresis	one side, default 4 cm
Standby current	200 µA
Wireless range	max. 450 m outdoors, max. 40 m indoors
Actuating time	min. 20 ms
Note	status signal adjustable via jumper, no, 10 s, 100 s, 1000 s, 10000 s delivery state: jumper position without status signal, transmission of battery voltage and switching condition
Wireless approvals	Europe: RED 2014/53/EU



Wireless laser sensor
RF 96 SDS SW868 LBT
Material number: 1229449

Note

Below the sensor window a red LED indicates the battery status. It will light up for 1 second if the battery voltage is low. In this case assume that the battery is empty and needs to be changed.