



Wireless Andon push-button sWave.NET® RF MAKD 3F SW868-NET Material number: 1450000

Features/Options:

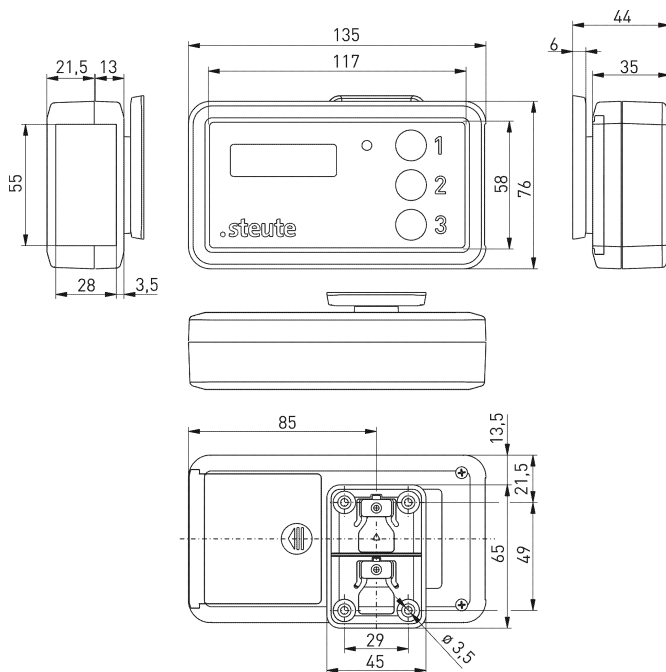
- sWave.NET® wireless technology

- Thermoplastic enclosure

Notes

- The batteries are included in delivery

Dimensions



Technical data

Applied standards	EN 60947-5-1, EN 61000-6-2, EN 61000-6-3, EN 61000-4-2, EN 301 489-1, EN 301 489-3, EN 300 220-1, EN 300 220-2
Enclosure	ABS, self-extinguishing UL 94 V-0
Degree of protection	IP 40 to IEC/EN 60529
Protocol	sWave.NET®
Frequency	868.3 MHz (Europe, China)
Transmission power	< 25 mW
Data rate	66 kbps
Channel bandwidth	480 kHz
Voltage supply	3 x batteries Mignon/AA/LR6
Display	monochrome, high-contrast, 2x16 characters for individual text
Ambient temperature	-10 °C ... +60 °C
Wireless range	max. 450 m outdoors, max. 40 m indoors
Wireless approvals	Europe: RED 2014/53/EU
Weight	165 g

Errors and omissions excepted.