

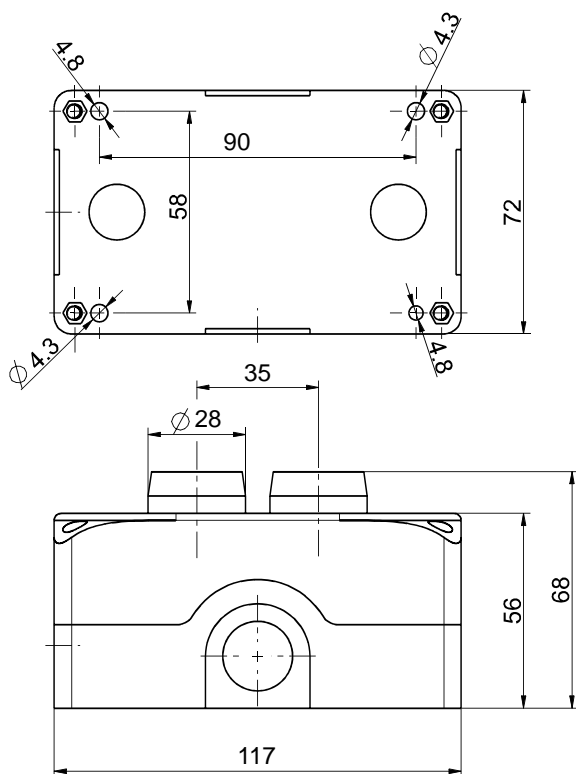


Wireless command device sWave.NET® RF BF 74 RT/RT SW868 NET Material number: 1433259

Features/Options:

- Thermoplastic enclosure
- sWave.NET® wireless technology
- No wiring and pipe laying required
- Configurable online via wireless interface
- Power supply by Lithium battery (replaceable)
- Actuator: Push button RT
- Actuator made of plastic

Dimensions



Technical data

Applied standards	EN 60947-5-1, EN 61000-6-2, EN 61000-6-3, EN 61000-4-2, EN 301 489-1, EN 301 489-3, EN 300 220-1, EN 300 220-2
Enclosure	polycarbonate
Tightening torque	cover screws: approx. 1.6 Nm
Degree of protection	IP 65 to IEC/EN 60529
Protocol	sWave®
Frequency	868.3 MHz (Europe, China)
Transmission power	< 25 mW
Data rate	66 kbps
Channel bandwidth	480 kHz
Voltage supply	Lithium battery SL-750 (replaceable)
System	Li/SOCl ₂
Nominal voltage	3.6 V
Nominal capacity	1.1 Ah
Battery life	depending on the switching frequency 10 s ca. 1.5 years 1 min ca. 7.5 years manufacturer's specification of max. storage life
Ambient temperature	-20 °C ... +65 °C
Operation cycles	max. 12000 telegrams with repetitions/h
Wireless range	max. 450 m outdoors, max. 40 m indoors
Mechanical life	800 000 operations
Actuating time	min. 80 ms
Note	transmission of battery voltage and switching condition

Errors and omissions excepted.



Wireless command device sWave.NET®
RF BF 74 RT/RT SW868 NET
Material number: 1433259

Technical data

Wireless approvals

Europe: RED 2014/53/EU

Weight

200 g

Colour plate selection for RT (included in delivery of RT)



Errors and omissions excepted.