

# Scanning Laser Range Finder Smart-URG mini UST-20LN Specification

$\Delta \times 2$	Correction of errors			P4,11	2015.01.15	<i>T.Kasahara</i>	RS-0529
Symbol	Amended Reason			Pages	Date	Corrector	Amendment No
Approved by	Checked by	Drawn by	Designed by	Title	UST-20LN Specification		
<i>T.Kamitani</i>	<i>M.Maeda</i>	<i>T.Kasahara</i>	<i>A.Yamamoto</i>				

## 1. General

### 1-1. Operation principle

The UST-20LN is a scanning laser range finder. The sensor emits pulsed laser beams within a 270° field of view. When the emitted laser beams are reflected back from an object, its distance is measured by applying the Time-of-Flight (TOF) principle. The sensor has 1081 measurement steps with a 0.25° pitch.

The user can preset up to 31 area patterns in the sensor. Each area has 3 outputs; Output 1, Output 2 and Output 3 (see Figure 1). When the sensor detects an object in the area, corresponding outputs are switched to an OFF state.

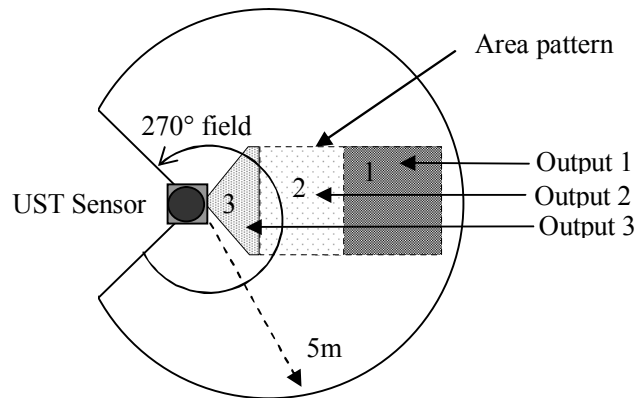


Figure. 1: Detection area and outputs in UST Sensor

### 1-2. Area configuration

The user can configure areas in the sensor using application software provided by the manufacturer. Install the software in a supported operating system and connect the sensor using a USB or RS422 cable. See section 6 for details on types of area configuration.

### 1-3. Area switching

The sensor has 5 external inputs for switching the area. Provide the correct signal states on these inputs (see Table 1) to switch the area.

### 1-4. Malfunction output

The sensor has a self-diagnostic function. It switches the malfunction output to an OFF state when errors are detected in the internal components.

### 1-5. Synchronous operation

The sensor has a scanner synchronization function to avoid mutual interference between multiple sensors. To use this function connect the Synchronous Output of one sensor (master) to the Synchronous Input of the other (slave). The slave sensor adjusts its scanner position with a preset time lag from the master. The time lag can be specified using the application software.

Title	UST-20LN Specification	Drawing No	C - 4 2 - 0 4 0 7 2	2/11
-------	------------------------	------------	---------------------	------

### 1-6. Hysteresis of detection area

When objects are present on the boundary of an area, sensor may not detect them continuously. In such cases, the output signals oscillate frequently between the ON and the OFF states. Sensor has hysteresis function that temporarily increases the area size to prevent such oscillation. Ratio of increase can be specified using the application software.

## 2. Structure

### 2-1. Structure Diagram

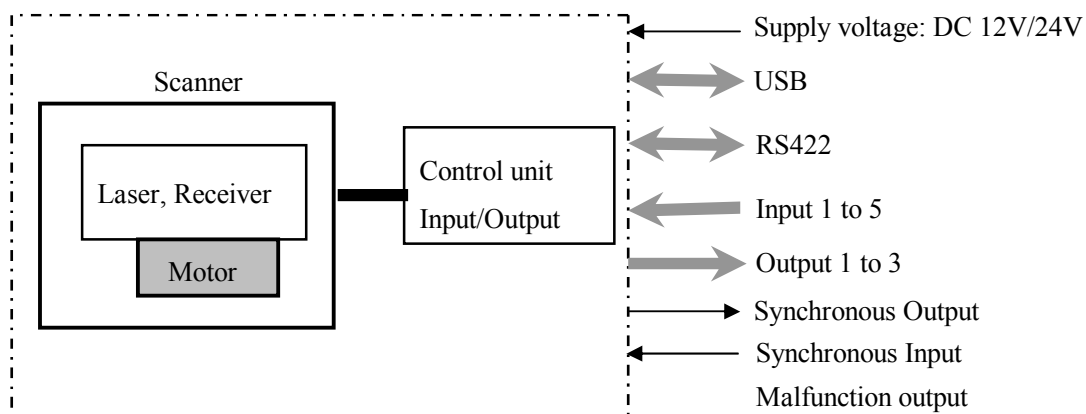


Figure. 2: Structure diagram

Title	UST-20LN Specification	Drawing No	C - 4 2 - 0 4 0 7 2	3/11
-------	------------------------	------------	---------------------	------

### 3. Specification

Product name	Scanning Laser Range Finder	
Model	UST-20LN	
Supply voltage	DC 12V/DC 24V (operation range 10 to 30V, ripple within 10%)	
Supply current	150mA (DC 24V) or less (during start up about 400mA is necessary.)	
Light source	Laser semiconductor (905nm), Laser class 1 (IEC60825-1:2007 Accession number:1420210-001)	
Detection range and object	60mm to 20000mm (white Kent sheet) 60mm to 8000mm (diffuse reflectance 10% ) Minimum detectable size 350mm (changes according to distance) *1	
Accuracy	60mm to 20000mm $\pm 40\text{mm}^{*2}$	
Standard deviation	$\sigma < 20\text{mm}^{*2}$	
Scan angle	270°	
Scan speed	25ms (motor speed 2400rpm)	
Angular resolution	0.25°	
Start up time	Within 10 sec (start up time differs if malfunction is detected during start up)	
Outputs	Photo-coupler, open collector output Max DC 30V 50mA Output 1: Output 1 OFF during object detection Output 2: Output 2 OFF during object detection Output 3: Output 3 OFF during object detection Malfunction output: ON during normal operation, OFF during malfunction Synchronization output: Synchronization signal during Master/Slave operation. Note: Output 1 to 3 are switched OFF during malfunction state	
Inputs	Photo-coupler, common anode, power supply is 4mA when input is ON Input 1 to 5: Area switching inputs (refer Table1) Synchronization input: Input synchronization signal during Slave operation.	
Output response time *3	OFF	66msec to 3241msec
	ON	66msec to 3241msec
Hysteresis $\Delta$	Hysteresis high (6.25%)	
	Hysteresis low (3.125%)	
	No Hysteresis (Default)	
Interface	USB/RS422	
LED display	Blue LED: ON during normal operation, blink during the start up, configuration and malfunction state Orange LED 1: Output 1 ON during object detection Orange LED 2: Output 2 ON during object detection Orange LED 3: Output 3 ON during object detection	
Synchronization function	Synchronization Master/Slave operation mode (can set by using Area Designer) *4 Synchronization slave mode (0°) Synchronization slave mode (90°) Synchronization slave mode (180°) Synchronization slave mode (270°)	

\*1 In the case of installing the sensor parallel to the Emitter/Receiver surface. Minimum detectable size of the object can be set by Area Designer.

\*2 Under the factory standard testing condition using white Kent sheet.

\*3 Initial setting is 66msec. ON/OFF delay function switching is possible by Area Designer. Response time can be further delayed by a maximum of 1scan during the area switching.

\*4 Initial setting is synchronization master. When using synchronization operation, refer to section 5.3 for details about synchronization wiring. Synchronization slave setting is possible using Area Designer.

Title	UST-20LN Specification	Drawing No	C - 4 2 - 0 4 0 7 2	4/11
-------	------------------------	------------	---------------------	------

### 3. Specification (Continued)

Surrounding intensity	Less than 15,000lx Note : Avoid direct sunlight or other illumination sources as it may cause sensor malfunction
Ambient temperature humidity	-10°C to +50°C, below 85%RH (without dew, frost)
Storage temperature humidity	-30°C to +70°C, below 85%RH (without dew, frost)
Vibration resistance	10 to 55Hz double amplitude of 1.5mm for 2hrs in each X, Y, and Z direction 55 to 200Hz 98m/s <sup>2</sup> sweep of 2min for 1hr in each X,Y and Z direction
Shock resistance	196m/s <sup>2</sup> (20G) X,Y and Z direction 10 times.
Insulation resistance	10MΩ, DC 500V
Protective structure	IP65
EMC standards	(EMI) EN61326-1:2013 EN55011:2009 + A1:2010 (EMS) EN61326-1:2013 EN61000-4-2:2009 EN61000-4-3:2006 + A1:2008 + A2:2010 EN61000-4-4:2012 EN61000-4-6:2009 EN61000-4-8:2010
Weight	130g
Material	Front case: Polycarbonate, Rear case: Aluminum
Dimensions (W×D×H)	50×50×70mm

Title	UST-20LN Specification	Drawing No	C - 4 2 - 0 4 0 7 2	5/11
-------	------------------------	------------	---------------------	------

Table 1: Input states and corresponding area number

[Input 1]	[Input 2]	[Input 3]	[Input 4]	[Input 5]	Area Number
ON	ON	ON	ON	ON	Laser off* <sup>1</sup>
OFF	ON	ON	ON	ON	Area1
ON	OFF	ON	ON	ON	Area2
OFF	OFF	ON	ON	ON	Area3
ON	ON	OFF	ON	ON	Area4
OFF	ON	OFF	ON	ON	Area5
ON	OFF	OFF	ON	ON	Area6
OFF	OFF	OFF	ON	ON	Area7
ON	ON	ON	OFF	ON	Area8
OFF	ON	ON	OFF	ON	Area9
ON	OFF	ON	OFF	ON	Area10
OFF	OFF	ON	OFF	ON	Area11
ON	ON	OFF	OFF	ON	Area12
OFF	ON	OFF	OFF	ON	Area13
ON	OFF	OFF	OFF	ON	Area14
OFF	OFF	OFF	OFF	ON	Area15
ON	ON	ON	ON	OFF	Area16
OFF	ON	ON	ON	OFF	Area17
ON	OFF	ON	ON	OFF	Area18
OFF	OFF	ON	ON	OFF	Area19
ON	ON	OFF	ON	OFF	Area20
OFF	ON	OFF	ON	OFF	Area21
ON	OFF	OFF	ON	OFF	Area22
OFF	OFF	OFF	ON	OFF	Area23
ON	ON	ON	OFF	OFF	Area24
OFF	ON	ON	OFF	OFF	Area25
ON	OFF	ON	OFF	OFF	Area26
OFF	OFF	ON	OFF	OFF	Area27
ON	ON	OFF	OFF	OFF	Area28
OFF	ON	OFF	OFF	OFF	Area29
ON	OFF	OFF	OFF	OFF	Area30
OFF	OFF	OFF	OFF	OFF	Area31

\*<sup>1</sup>: Laser is switched off when all inputs (1 to 5) are ON.

Title	UST-20LN Specification	Drawing No	C - 4 2 - 0 4 0 7 2	6/11
-------	------------------------	------------	---------------------	------

#### 4. Connection

##### 4-1. Power source, I/O Cable

Cable length: 1000mm flying lead

Color	Signal
Brown	+VIN (DC12V/DC24V)
Blue	-VIN
Black	Output 1
White	Output 2
White (Blue)	Output 3
Orange	Malfunction Output
Light green	Synchronous Output
Gray	COM Input -
Red	COM Output +
Green	Input 1
Yellow	Input 2
Purple	Input 3
White (Black)	Input 4
White (Red)	Input 5
Light Blue	Synchronous Input
Pink	RS422 GND
Yellow (Red)	RS422 TXD+
Yellow (Black)	RS422 TXD-
Light Blue (Red)	RS422 RXD+
Light Blue (Black)	RS422 RXD-

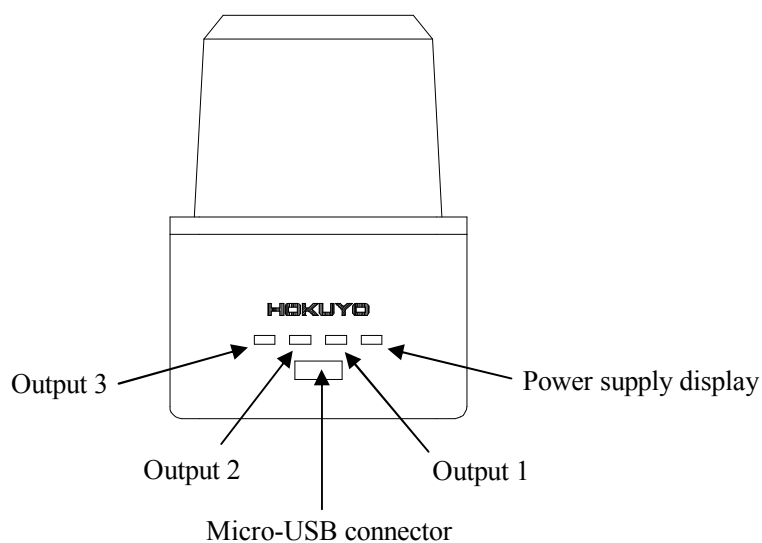
Note 1: Input/Output direction is mentioned from the sensor's side.

Note 2: Colors inside the bracket indicates dual color cable.

Note 3: Keep the input wires open or connect to input Com+ if not in use.

Note 4: Keep the output wires open or connect to output Com- if not in use.

#### 5. LED display



Title

UST-20LN Specification

Drawing No

C - 4 2 - 0 4 0 7 2

7/11

## 6. Area configuration

It is possible to configure two types of area in the sensor.

1. Normal configuration
2. Independent configuration

### 6-1 Normal configuration

In the normal configuration, the area for Output 1 is configured first and the shape of it can be configured freely. Areas for Output 2 and Output 3 are dependent on the set area of Output 1 and therefore they are configured inside it. The shapes of Output 2 and Output 3 areas can be straight, fan shape or ratio (Figure 3).

Figure 4 and Table 2 show the relationship between the detected object position and the output states.

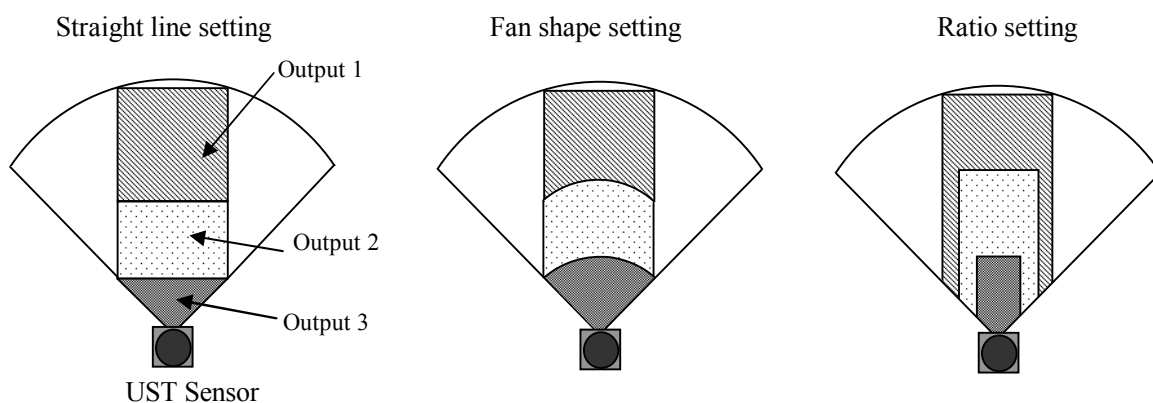


Figure 3: Normal area configuration

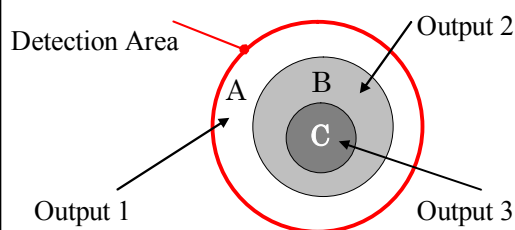


Figure 4: Output areas

Object position	Output 1	Output 2	Output 3
A	OFF	ON	ON
B	OFF	OFF	ON
C	OFF	OFF	OFF

Table 2: Relationship between object position and output states

Title	UST-20LN Specification	Drawing No	C - 4 2 - 0 4 0 7 2	8/11
-------	------------------------	------------	---------------------	------



## 6-2. Independent configuration

In the independent configuration, areas for Output 1, Output 2 and Output 3 can be configured freely. The field covered by each output can be completely separate from the other output areas or there can be an overlapping region between the output areas Figure 5 (a) and (b).

Figure 6 and Table 3 show the relationship between the object position and the output states.

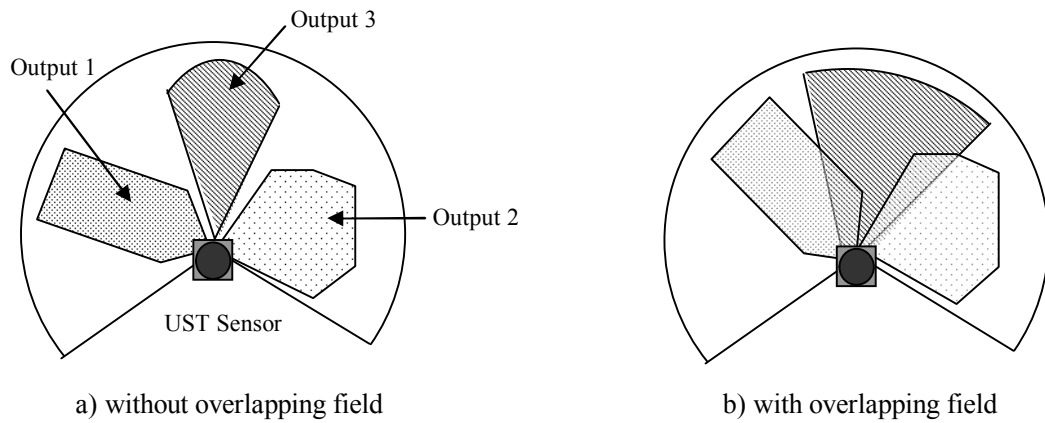


Figure 5: Independent area configuration

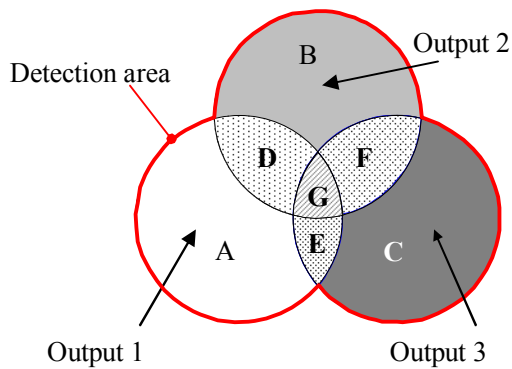


Figure 6: Output areas

Object position	Output 1	Output 2	Output 3
A	OFF	ON	ON
B	ON	OFF	ON
C	ON	ON	OFF
D	OFF	OFF	ON
E	OFF	ON	OFF
F	ON	OFF	OFF
G	OFF	OFF	OFF

Table 3: Relationship between object position and output area

Title	UST-20LN Specification	Drawing No	C - 4 2 - 0 4 0 7 2	9/11
-------	------------------------	------------	---------------------	------

### 7. Input/Output circuit connection example

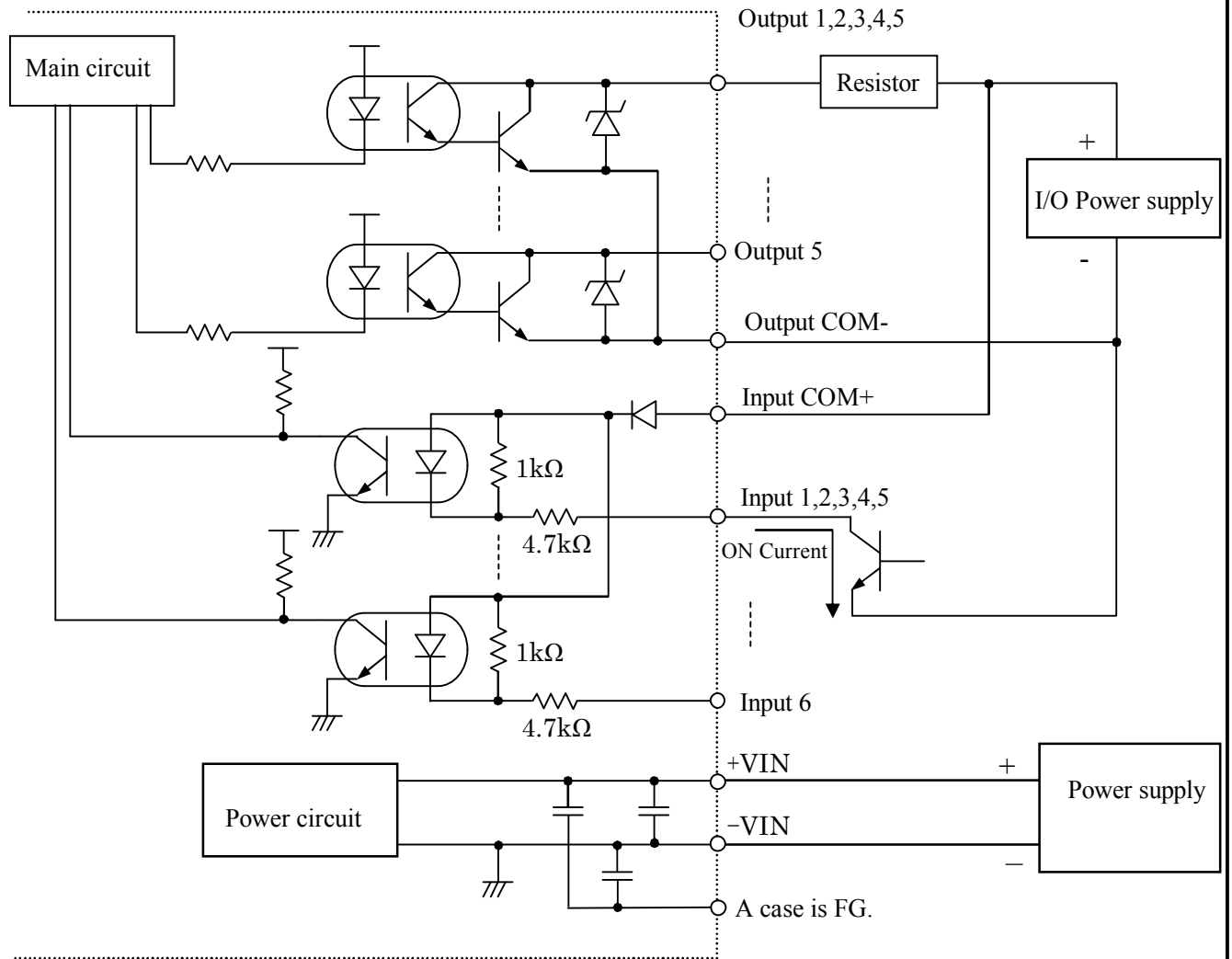


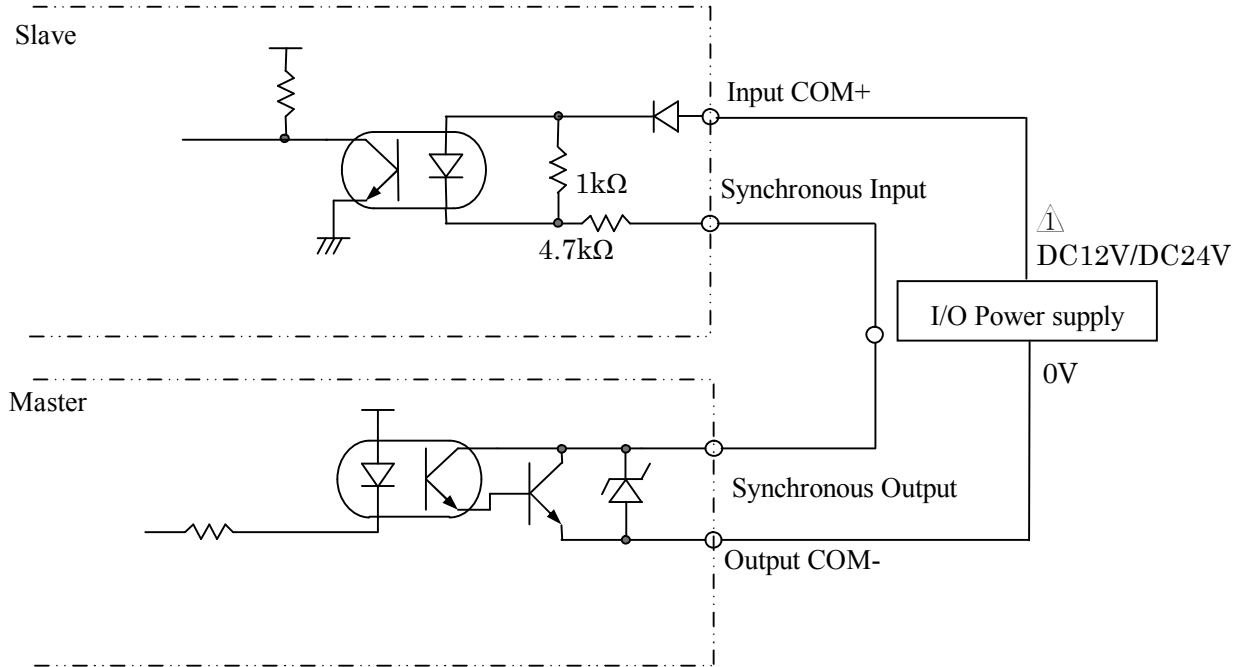
Figure 7: Connection example of inputs, outputs and power supply.

Title	UST-20LN Specification	Drawing No	C - 4 2 - 0 4 0 7 2	10/11
-------	------------------------	------------	---------------------	-------

### 8. The example of synchronous wiring

Synchronous Output (master) : Light green

Synchronous Input (slave) : Light Blue



Title	UST-20LN Specification	Drawing No	C - 4 2 - 0 4 0 7 2	11/11
-------	------------------------	------------	---------------------	-------