


# VISOR® V20 Code Reader Advanced, medium field of view

Multi-Code Reader for 1D and 2D codes

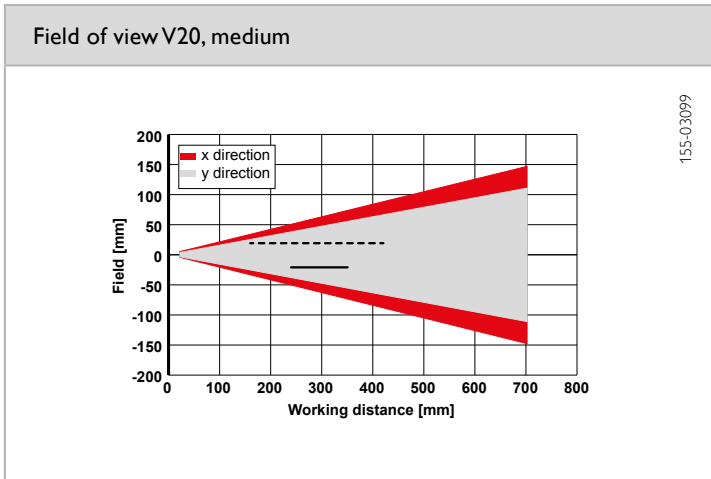
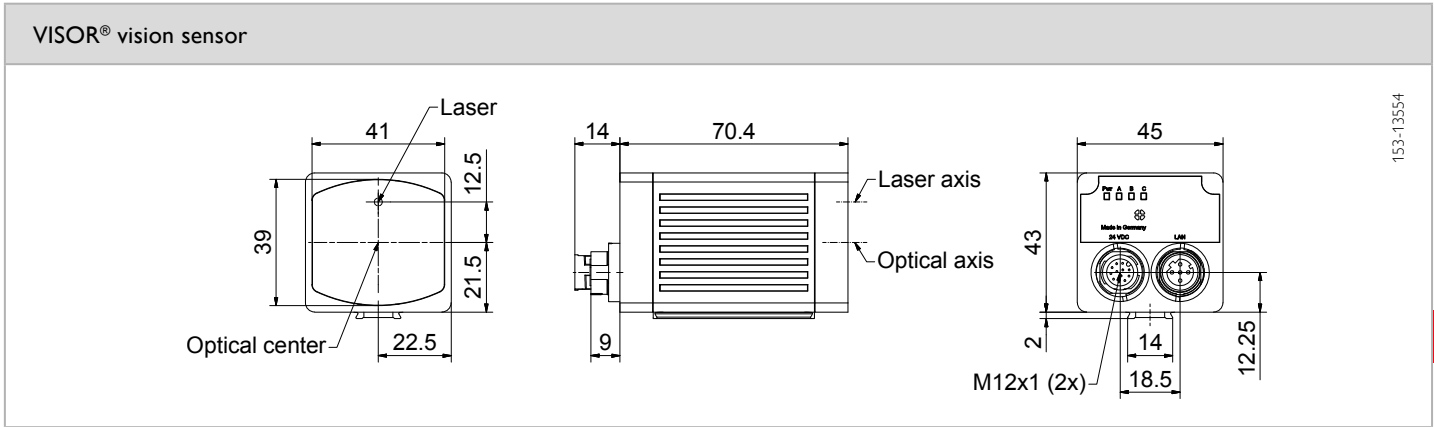


## PRODUCT HIGHLIGHTS

- Can be used for all common 2D codes (ECC 200 data matrix) and common 1D bar codes
- Reliable detection of even poorly readable codes under difficult ambient conditions
- Comprehensive tools for flexible and easy connection to PC and PLC environments
- Reading of several similar or differing types of codes in one reading pass

Optical data		Functions	
Resolution	1440 × 1080 pixels	Number of jobs / detectors	max. 255 / max. 255
Imaging chip CMOS	1/2.9", monochrome	Detectors	<b>Barcode:</b> reading 1D bar codes, EAN, UPC, RSS, 2/5 Interleaved, 2/5 Industrial, code 32, code 39, code 93, code 128, GS1, pharm code, codabar; <b>Datacode:</b> reading 2D codes: ECC200, QR code, PDF 417, GS1;
Integrated lens, focal length [mm]	12 (medium)		
Pixel size	3.45 µm × 3.45 µm		<b>Result processing:Text:</b> checking and calculating with results from detectors
Focus	Motorized		
Adjustment range	25 mm to infinity		
Integrated illumination	White (5000 K), red (635 nm), infrared (850 nm) LEDs		
Minimum field of view, X × Y	10 × 8 mm		
Target laser	Laser: red (635 nm) class 1  (IEC 60825-1)		
Electrical data		Mechanical data	
Operating voltage, +U <sub>B</sub>	18 ... 30 DC <sup>1</sup>	Dimensions	70.4 × 45 × 45 mm (without plug)
Current consumption (without I/O)	≤ 300 mA	Enclosure rating	IP 67 & IP 65
Protective circuits	Reverse-polarity protection, U <sub>B</sub> / short-circuit protection of all outputs	Material, housing	Aluminium, die-cast, RoHS compliant
Power On Delay	Approx. 13 s after Power on	Material, front screen	Plastic
Outputs	PNP/NPN (switchable)	Ambient temperature: operation	0 ... +50 °C <sup>2</sup>
Max. output current (per output)	50 mA, 100 mA (pin 12)	Ambient temperature: storage	-20 ... +60 °C <sup>2</sup>
Switching threshold inputs incl. encoder	PNP/NPN High > U <sub>B</sub> -1 V / Low < 3 V	Weight	Approx. 200 g
Input resistance	> 20 kΩ	Plug connections	Supply and I/O M12, 12-pin Ethernet M12, 4-pin
Interfaces	Ethernet (LAN), EtherNet/IP, PROFINET, SensoWeb, Service Port	Vibration resistance	EN 60068-2-6
VISOR® V20-CR-Advanced		Shock resistance	EN 60068-2-27
Inputs/outputs	2 inputs, 2 outputs, 6 selectable inputs/outputs		
Encoder	✓		

<sup>1</sup> Max. ripple < 5V<sub>SS</sub>    <sup>2</sup> 80 % air humidity, noncondensing



- Increased depth of field
- Normal depth of field

Illumination	Part number	Article number	Accessories	
White	V20-CR-A3-W-M-M2-L	632-91046	Connection cables	From Page A-46
White	V20-CR-A3-W-MD-M2-L	632-91095	Illumination	From Page A-33
Red	V20-CR-A3-R-M-M2-L	632-91049	Brackets	From Page A-4
Red	V20-CR-A3-R-MD-M2-L	632-91078	Interface accessories	From Page A-53
Infrared	V20-CR-A3-I-M-M2-L	632-91052		
Infrared	V20-CR-A3-I-MD-M2-L	632-91099		