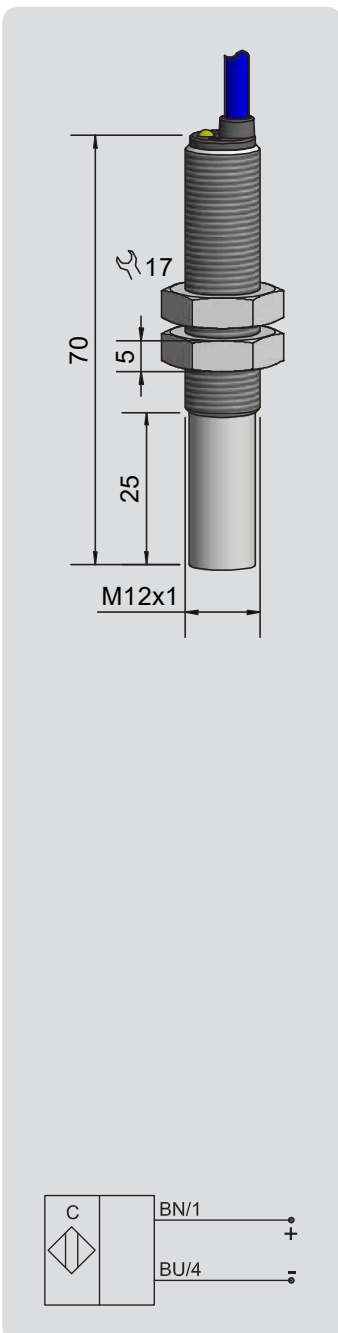




Capacitive sensors
Series 40 - NAMUR EN 60947-5-6
Article number: 400900
Description: KAS-40-14-N-M12-PTFE-Z05-1-1G

- Capacitive sensor for level and position control
- For use in areas with the risk of gas explosion, Zone 0
- Housing material: PTFE (FDA 21 CFR 177.1550)
- Ideal for detection of chemically aggressive media
- Suitable for food applications
- Sensing distance 1...6 mm adjustable



Technical data

Mounting	Non-flush mountable
Operating distance (S_n)	4 mm
Operating distance min. / max. adjustable	1...6 mm
Sensitivity adjustment	Potentiometer
Output function	NAMUR DIN 60947-5-6
Operating voltage (U_B)	5 - 15 V DC, $U_i = 15$ V DC
Output current active surface free	< typ. 1.5 mA
Output current active surface covered	> typ. 2.5 mA
Self-inductance (L)	0.2 mH
Self-capacitance (C)	250 nF
Permitted residual ripple max.	5 %
Frequency of operating cycles max.	50 Hz
Permitted ambient temperature	-20...+70 °C
LED-display	Yellow
Degree of protection IEC 60529	IP 67 (with sealed potentiometer screw)
Connection	Cable, 5 m, PVC, 2 x 0.14 mm ²
Housing material	PTFE (FDA 21 CFR 177.1550)
Active surface	PTFE (FDA 21 CFR 177.1550)
Lid	PA
Housing size / Process connection	M 12 x 1
ATEX certificate	DMT 03 ATEX E 048X
ATEX Product marking Gas	Ex II 1G Ex ia Ex IIC T1...T6 Ga
IECEx certificate	BVS 07.0031X
IECEx Product marking Gas	Ex ia IIC T1...T6 Ga
MTTF (average operating time until failure)	1147.03 Years
Accessories (is delivered with the sensor)	2 nuts M 12 x 1
Matching Ex barriers can be offered on request.	

Made in Germany