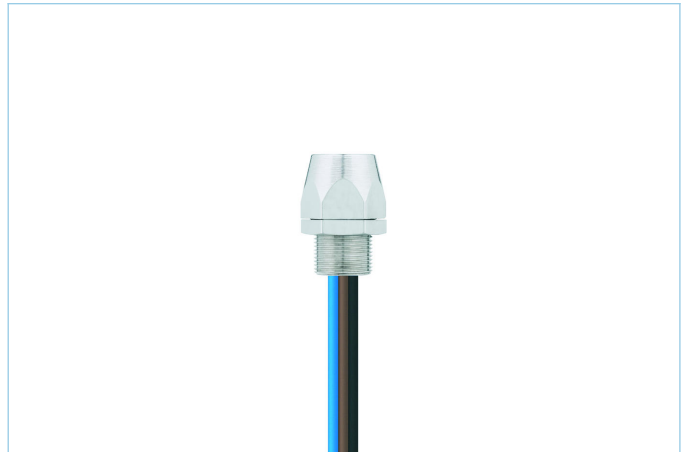
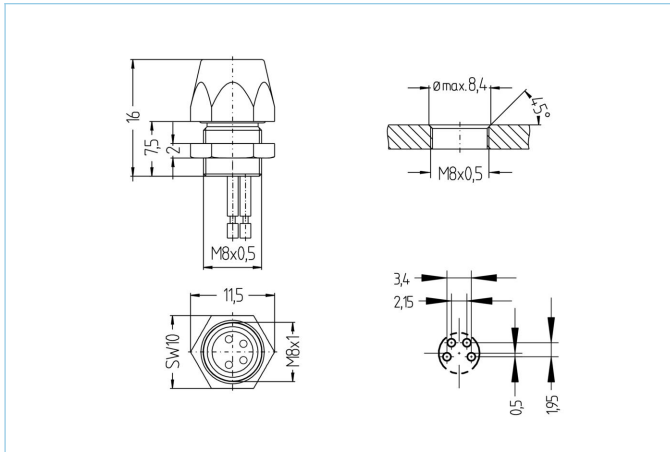


Receptacle, M8



Product data

Item description	PFKS4-0,2
Item-No.	8008170
Customs tariff-No.	85444290
Step-File	PFKS4-m.stp
EAN	4047106093983

Technical data

Connector	female, straight, M8
Number of pins	4
Pin assignment	1 BN, 2 WH, 3 BU, 4 BK
Rated voltage	60V
Current load per pin (at 40°C)	4A
Ambient temperature product	-30°C...+90°C
Contact material	Metal, CuZn, gold-plated
Contact-carrier material	Plastic, PA, BK
Receptacle housing material	Metal, CuZn, nickel-plated
Sealing (female) material	FPM/FKM
Mounting direction	Front wall-mounting (incl. Fixing screw)
Wire length	0.20m
Wire colors	BN, WH, BU, BK
Connecting type	Wire contact
Wire cross-section	4 x 0.25 mm ²
Wire insulation material	PVC
Standards	IEC 61076-2-104
Degree of protection (mounted)	IP65, IP67, IP68
Mechanical life-cycle	>100 mating cycles
Degree of pollution	3/2
Wire cross-section	4 x 0.25 mm ²
Style	straight

Classification

eCl@ss 6.0	27279220
eCl@ss 7.0	27440103
eCl@ss 8.0	27440103
eCl@ss 9.0	27440103
ETIM 5.0	EC002061
ETIM 6.0	EC002061