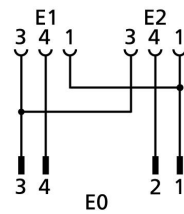
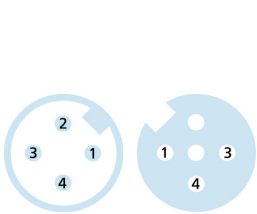
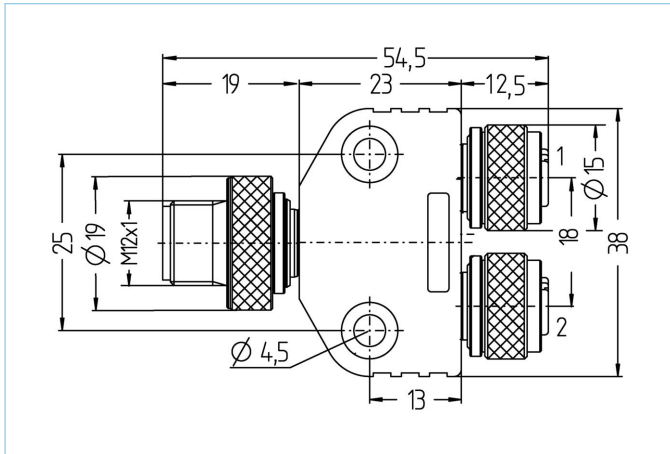


Y-splitter, M12, male, straight, 4 poles, M12, female, straight, 3 poles, M12, female, straight, 3 poles



Product data

Item description	FSM4-2FKM3/S89
Item-No.	8010464
Customs tariff-No.	85366990
Step-File	FSM4-2FKM4_S89.stp
EAN	4047106082963

	Exit 0	Exit 1	Exit 2
Connector	male, M12	female, M12	female, M12
Contact material	Metal, CuZn, gold-plated	Metal, CuZn, gold-plated	Metal, CuZn, gold-plated
Contact-carrier material	Plastic, TPU, BK	Plastic, TPU, BK	Plastic, TPU, BK
Coupling nut material	Metal, CuZn, nickel-plated	Metal, CuZn, nickel-plated	Metal, CuZn, nickel-plated
Rated voltage	250V	250V	250V
Coding of	A	A	A
Number of pins	4	3	3
Current load (at 40°C)	4A	4A	4A

Insulation resistance	≥10 ⁹ Ω
Ambient temperature product	-30°C...+90°C
Grip body material	Plastic, TPU, BK
Sealing (female) material	FPM/FKM
Mechanical life-cycle	>100 mating cycles
Standards	IEC 61076-2-101/-104
Degree of protection (mounted)	IP65, IP67, IP68
Degree of pollution	3

Classification

eCl@ss 6.0	27279201
eCl@ss 7.0	27279201
eCl@ss 8.0	27279201
eCl@ss 9.0	27440106
ETIM 5.0	EC002062
ETIM 6.0	EC002925

Accessories

Mounting-set, S89

<https://www.escha.net/en/products/standard/accessories-for-connectivity/8036078>

Link to product

<https://www.escha.net/en/products/standard/t-splitters-y-splitters/8010464>