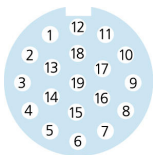
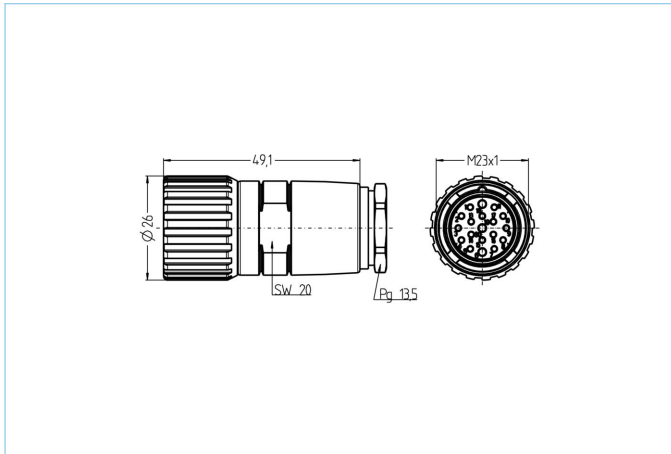


Field-wireable, M23, female, straight, 19 poles, soldering contact, 125V



Product data	
Item description	MKCC 19L
Item-No.	8013696
Customs tariff-No.	85366990
Step-File	MKCC 19L.stp
EAN	4047106075859
Technical data	
Connector	female, straight, M23
Number of pins	19
Rated voltage	125V
Current load power	10A contacts 6,12,19
Current load signal	4A all other contacts
Insulation resistance	$\geq 10^9 \Omega$
Ambient temperature product	-40°C...+125°C
Contact material	Metal, CuZn, gold-plated
Contact-carrier material	Plastic, PBT, GY
Grip body material	Metal, CuZn, nickel-plated, silver-plated
Coupling nut material	Metal, CuZn, nickel-plated
Sealing (female) material	Plastic, NBR
Connecting cross-section	Contacts 6,12,19 0,75...1,0 mm ² all other 0,5...0,75 mm ²
Cable outlet	10...14 mm
Connecting type	Soldering contact
Standards	IEC 61076-2-101
Mechanical life-cycle	>100 mating cycles
Degree of pollution	3
Style	straight

Classification

eCl@ss 6.0	27260702
eCl@ss 7.0	27440102
eCl@ss 8.0	27440102
eCl@ss 9.0	27440102
ETIM 5.0	EC002635
ETIM 6.0	EC002635

Link to product

<https://www.escha.net/en/products/standard/field-wireable-connectors/8013696>