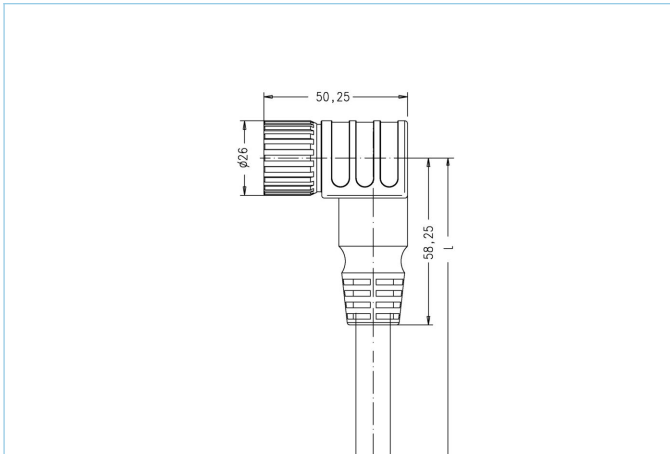


M23, female, angled, 19 poles



Product data

| | |
|--------------------|--------------------|
| Item description | WMKCU19.003-5/S370 |
| Item-No. | 8017111 |
| Length | 5m |
| Customs tariff-No. | 85444290 |
| Step-File | WMKCU19.stp |
| EAN | 4047106066031 |

Technical data

| | |
|--------------------------------|---|
| Connector | female, angled, M23 |
| Number of pins | 19 |
| Pin assignment | 1 VT, 2 RD, 3 GY, 4 RDBU, 5 GN, 6 BU, 7 GYPK, 8 WHGN, 9 WHYE, 10 WHGY, 11 BK, 12 GNYE, 13 YE BN, 14 BNGN, 15 WH, 16 YE, 17 PK, 18 GYBN, 19 BN |
| Rated voltage | 125V |
| Current load power | 10A contacts 6,12,19 |
| Current load signal | 4A, all other contacts |
| Insulation resistance | $\geq 10^9 \Omega$ |
| Ambient temperature product | -30°C...+90°C |
| Contact material | Metal, CuZn, gold-plated |
| Contact-carrier material | Plastic, PBT, WH |
| Grip body material | Plastic, TPU, BU |
| Coupling nut material | Metal, CuZn, nickel-plated |
| Sealing (female) material | Plastic, NBR |
| Degree of protection (mounted) | IP65, IP67 |
| Mechanical life-cycle | >100 mating cycles |
| Cable end assembly | open cable end |
| Degree of pollution | 3 |
| Style | angled |

| | |
|--------------|----------------------|
| Cable | PUR, UL, S370 |
|--------------|----------------------|

Flexible, silicone- and halogen-free control line with high mechanical strength. The cable is chemicals, hydrolysis-, and microbes- resistant. The drag-chain application is possible at a bending radius of minimum 10 x d. Due to its weld-field immunity, the cable is very well suited for the flexible application in robotics, machine-tool, and metal-cutting production. The cables meet the UL and CSA (UL10493/20549; cULus) requirements.

| | |
|------------------------------|--|
| Outer diameter of jacket | 9.7 mm |
| Cable-jacket material | PUR |
| Jacket color | BK, similar RAL9005 |
| Wire cross-section | 16 x 0.34 mm ² + 3 x 1 mm ² |
| Wire insulation material | PP |
| Wire colors | VT, RD, GY, GN, BK, WH, PK, YE, RDBU, GYPK, WHGN, WHYE, WHGY, YEEN, BNGN, GYBN, BN, BU, GNYE |
| Bending radius (repeated) | min. 10 x Ø-cable |
| Temperature range (repeated) | -5°C...+80°C |
| Temperature range (fixed) | -40°C...+80°C |
| Drag chain-application | 2 Mio. cycles |
| Halogen-free | Yes |
| Special features | flame retardant, LABS free, RoHs compliant, drag chain-adapted, halogen free |

| | |
|-----------------------|--|
| Classification | |
|-----------------------|--|

| | |
|------------|----------|
| eCl@ss 6.0 | 27279218 |
| eCl@ss 7.0 | 27279218 |
| eCl@ss 8.0 | 27279218 |
| eCl@ss 9.0 | 27060311 |
| ETIM 5.0 | EC001855 |
| ETIM 6.0 | EC001855 |

| |
|------------------------|
| Link to product |
|------------------------|

<https://www.escha.net/en/products/standard/sensoractuator-connectors/8017111>