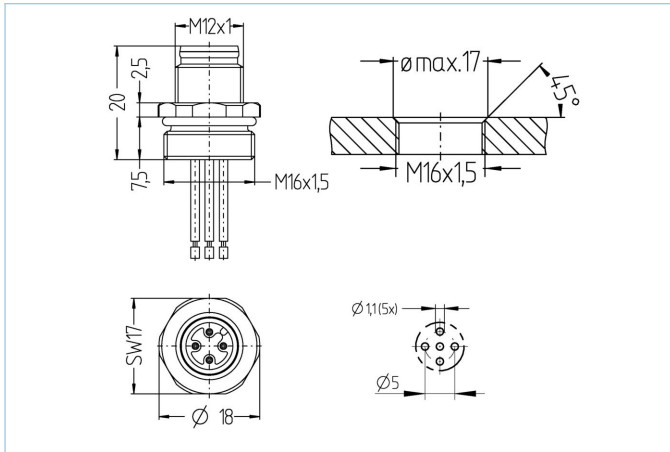


## Receptacle, M12



### Product data

|                    |                   |
|--------------------|-------------------|
| Item description   | EC-FS4.5-0,5/16   |
| Item-No.           | 8027394           |
| Customs tariff-No. | 85444290          |
| Step-File          | EC-FS4_5-m_16.stp |
| EAN                | 4047106019747     |

### Technical data

|                                |  |
|--------------------------------|--|
| Connector                      | male, straight, M12                        |
| Number of pins                 | 5  |
| Pin assignment                 | 1 BN, 2 WH, 3 BU, 4 BK, 5 GY               |
| Coding                         | A  |
| Rated voltage                  | 60V  |
| Current load per pin (at 40°C) | 4A   |
| Insulation resistance          | $\geq 10^9 \Omega$                         |
| Ambient temperature product    | -30°C...+90°C                              |
| Contact material               | Metal, CuZn, gold-plated                   |
| Contact-carrier material       | Plastic, TPU, BK                           |
| Receptacle housing material    | Metal, CuZn, nickel-plated                 |
| Material of external sealing   | NBR  |
| Mounting direction             | Front wall-mounting (without fixing screw) |
| Wire length                    | 0.50m                                      |
| Wire colors                    | BN, WH, BU, BK, GY                         |
| Connecting type                | Wire contact                               |
| Wire cross-section             | 5 x 0.34 mm <sup>2</sup>                   |
| Wire insulation material       | PVC  |
| Fastening thread               | M16x1.5                                    |

|                                |                          |
|--------------------------------|--------------------------|
| Standards                      | IEC 61076-2-101          |
| Degree of protection (mounted) | IP65, IP67, IP68         |
| Mechanical life-cycle          | >100 mating cycles       |
| Degree of pollution            | 3                        |
| Wire cross-section             | 5 x 0.34 mm <sup>2</sup> |
| Style                          | straight                 |
| <b>Classification</b>          |                          |
| eCl@ss 6.0                     | 27279220                 |
| eCl@ss 7.0                     | 27440103                 |
| eCl@ss 8.0                     | 27440103                 |
| eCl@ss 9.0                     | 27440103                 |
| ETIM 5.0                       | EC002061                 |
| ETIM 6.0                       | EC002061                 |