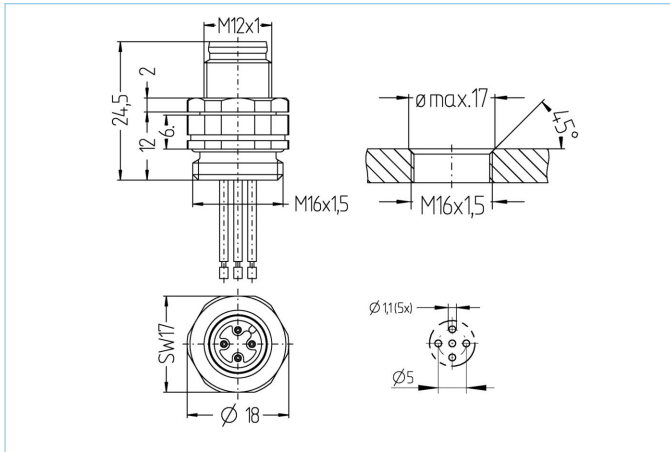


Receptacle, M12



Product data

Item description	EC-FSD4.5-0,5/16
Item-No.	8027470
Customs tariff-No.	85444290
Step-File	EC-FSD4_5-m_16.stp
EAN	4047106019556

Technical data

Connector	male, straight, M12
Number of pins	5
Pin assignment	1 BN, 2 WH, 3 BU, 4 BK, 5 GY
Coding	A
Rated voltage	60V
Current load per pin (at 40°C)	4A
Insulation resistance	$\geq 10^9 \Omega$
Ambient temperature product	-30°C...+90°C
Contact material	Metal, CuZn, gold-plated
Contact-carrier material	Plastic, TPU, BK
Receptacle housing material	Metal, CuZn, nickel-plated
Material of external sealing	NBR
Mounting direction	Front wall-mounting (without fixing screw)
Wire length	0.50m
Wire colors	BN, WH, BU, BK, GY
Connecting type	Wire contact
Wire cross-section	5 x 0.34 mm ²
Wire insulation material	PVC
Adjustable fixing screw	Yes
Fastening thread	M16x1.5

Standards	IEC 61076-2-101
Degree of protection (mounted)	IP65, IP67, IP68
Mechanical life-cycle	>100 mating cycles
Degree of pollution	3
Wire cross-section	5 x 0.34 mm ²
Style	straight
Classification	
eCl@ss 6.0	27279220
eCl@ss 7.0	27440103
eCl@ss 8.0	27440103
eCl@ss 9.0	27440103
ETIM 5.0	EC002061
ETIM 6.0	EC002061