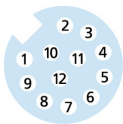
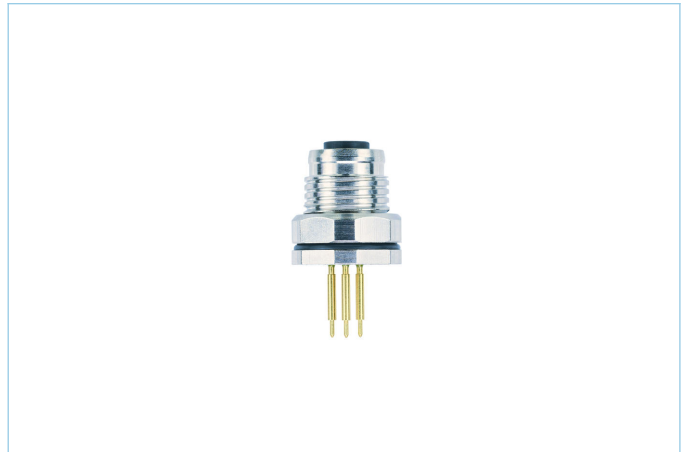
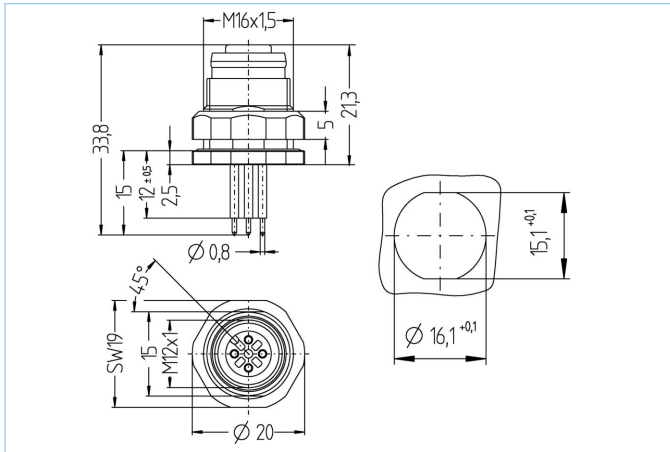


Receptacle, M12



Product data

| | |
|--------------------|---------------------|
| Item description | EC-FKFDE12-P/16 |
| Item-No. | 8029512 |
| Customs tariff-No. | 85366990 |
| Packaging unit | 10 |
| Step-File | EC-FKFDE12-P_16.stp |
| EAN | 4047106000387 |

Technical data

| | |
|--------------------------------|---|
| Connector | female, straight, M12 |
| Number of pins | 12 |
| Pin assignment | 1 BN, 2 BU, 3 WH, 4 GN, 5 PK, 6 YE, 7 BK, 8 GY, 9 RD, 10 VT, 11 GYPK, 12 RDBU |
| Coding | A |
| Rated voltage | 30V |
| Current load per pin (at 40°C) | 1.5A |
| Insulation resistance | $\geq 10^9 \Omega$ |
| Ambient temperature product | -30°C...+90°C |
| Contact material | Metal, CuZn, gold-plated |
| Contact-carrier material | Plastic, PA GF, BK |
| Receptacle housing material | Stainless steel 1.4404 |
| Sealing (female) material | FPM/FKM |
| Material of external sealing | NBR |
| Mounting direction | Back wall-mounting (incl. Fixing screw) |
| Connecting type | Print contact |
| Adjustable fixing screw | Yes |
| Fastening thread | M16x1.5 |
| Standards | IEC 61076-2-101 |
| Degree of protection (mounted) | IP65, IP67, IP68 |
| Mechanical life-cycle | >100 mating cycles |
| Degree of pollution | 3 |
| Style | straight |

Classification

| | |
|------------|----------|
| eCl@ss 6.0 | 27279220 |
| eCl@ss 7.0 | 27440103 |
| eCl@ss 8.0 | 27440103 |
| eCl@ss 9.0 | 27440103 |
| ETIM 5.0 | EC002061 |
| ETIM 6.0 | EC002061 |