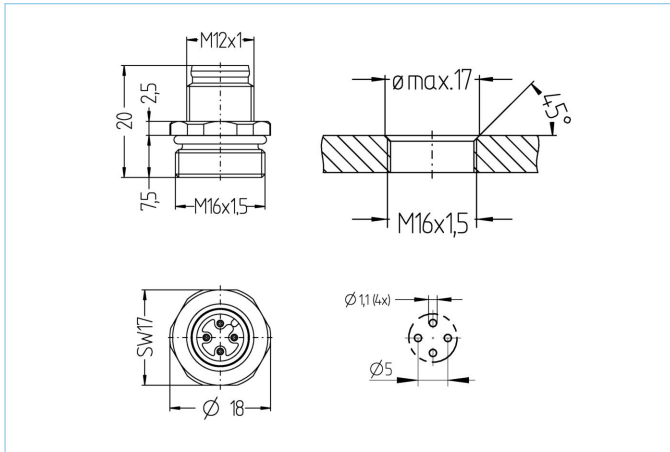


Receptacle, M12



Product data

Item description	EC-FS4-L/16
Item-No.	8029546
Customs tariff-No.	85366990
Packaging unit	10
Step-File	EC-FS4-L_16.stp
EAN	4047106013059

Technical data

Connector	male, straight, M12
Number of pins	4
Pin assignment	1 BN, 2 WH, 3 BU, 4 BK
Coding	A
Rated voltage	250V
Current load per pin (at 40°C)	4A
Insulation resistance	$\geq 10^9 \Omega$
Ambient temperature product	-30°C...+90°C
Contact material	Metal, CuZn, gold-plated
Contact-carrier material	Plastic, TPU, BK
Receptacle housing material	Metal, CuZn, nickel-plated
Material of external sealing	NBR
Mounting direction	Front wall-mounting (without fixing screw)
Connecting type	Soldering contact
Fastening thread	M16x1.5
Standards	IEC 61076-2-101
Degree of protection (mounted)	IP65, IP67, IP68
Mechanical life-cycle	>100 mating cycles
Degree of pollution	3
Style	straight

Classification	
eCl@ss 6.0	27279220
eCl@ss 7.0	27440103
eCl@ss 8.0	27440103
eCl@ss 9.0	27440103
ETIM 5.0	EC002061
ETIM 6.0	EC002061