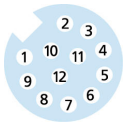
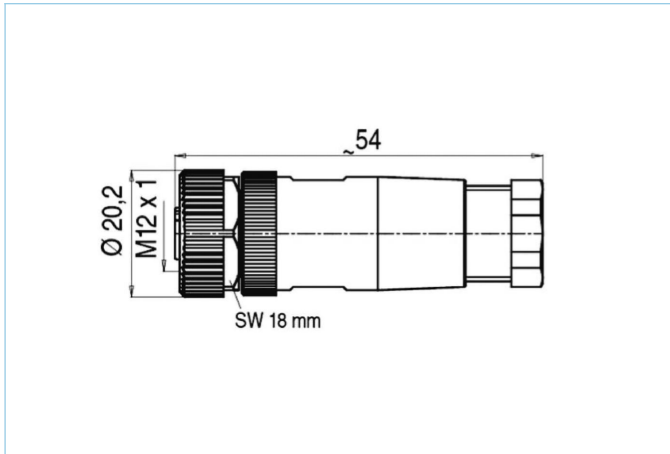
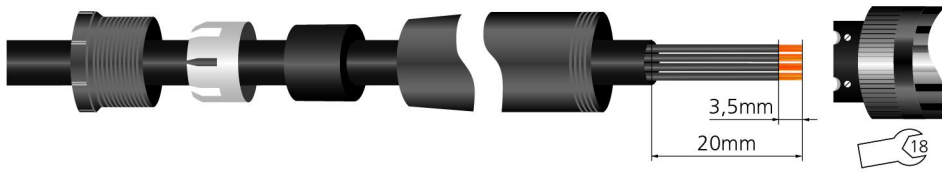


Field-wireable, M12, female, straight, 12 poles, soldering contact, 30V 2A



| Product data | |
|--------------------------------|---------------------------|
| Item description | WAKC12L |
| Item-No. | 8031858 |
| Customs tariff-No. | 85366990 |
| Step-File | WAKC12L.stp |
| EAN | 4047106000554 |
| Technical data | |
| Connector | female, straight, M12 |
| Number of pins | 12 |
| Coding | A |
| Rated voltage | 30V |
| Current load per pin (at 40°C) | 1A |
| Insulation resistance | ≥10 ⁹ Ω |
| Resistance | ≤ 3mΩ |
| Ambient temperature product | -40°C...+85°C |
| Contact material | Metal, CuSn, gold-plated |
| Contact-carrier material | Plastic, PA, BK |
| Grip body material | Plastic, PA, BK |
| Sealing (female) material | FPM/FKM |
| Connecting cross-section | max. 0.25 mm ² |
| Cable outlet | 6...8 mm |
| Connecting type | Soldering contact |
| Standards | IEC 61076-2-101 |
| Degree of protection (mounted) | IP67 |
| Mechanical life-cycle | >50 mating cycles |
| Degree of pollution | 3 |
| Style | straight |

Manual



Classification

| | |
|------------|----------|
| eCl@ss 6.0 | 27260702 |
| eCl@ss 7.0 | 27440102 |
| eCl@ss 8.0 | 27440102 |
| eCl@ss 9.0 | 27440102 |
| ETIM 5.0 | EC002635 |
| ETIM 6.0 | EC002635 |

Link to product

<https://www.escha.net/en/products/standard/field-wireable-connectors/8031858>