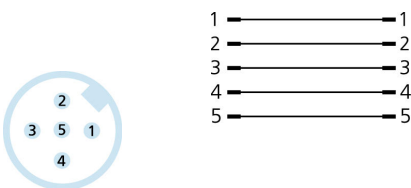
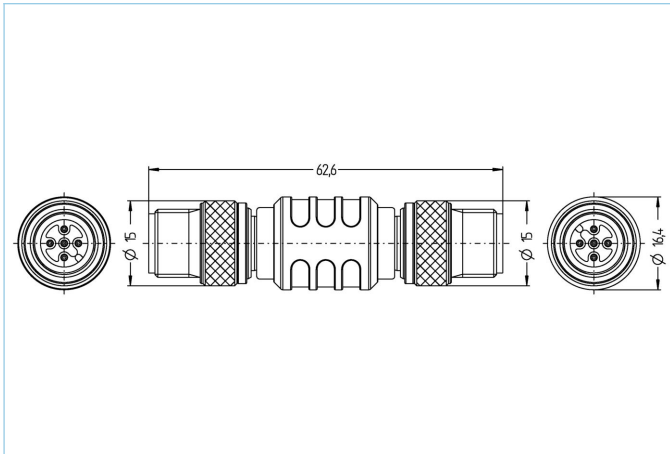


Adapter, M12, male, straight, 5 poles, M12, male, straight, 5 poles



Product data

Item description	WAS4.5-WAS4.5
Item-No.	8041352
Customs tariff-No.	85366990
Step-File	WAS4_5-WAS4_5.stp
EAN	4047106002206

Technical data	A-side	B-side
Connector	male, M12	male, M12
Number of pins	5	5
Coding of	A	A
Rated voltage	60V	60V
Current load (at 40°C)	4A	4A
Insulation resistance	≥10 ⁹ Ω	≥10 ⁹ Ω
Ambient temperature product	-30°C...+90°C	-30°C...+90°C
Contact material	Metal, CuZn, gold-plated	Metal, CuZn, gold-plated
Contact-carrier material	Plastic, TPU, BK	Plastic, TPU, BK
Grip body material	Plastic, TPU, BU	Plastic, TPU, BU
Coupling nut material	Metal, CuZn, nickel-plated	Metal, CuZn, nickel-plated
Standards	IEC_61076-2-101/-104	IEC 61076-2-101/-104
Degree of protection (mounted)	IP65, IP67, IP68	IP65, IP67, IP68
Mechanical life-cycle	>100 mating cycles	>100 mating cycles
Degree of pollution	3	3

Classification

eCl@ss 6.0	27279201
eCl@ss 7.0	27279201
eCl@ss 8.0	27279201
eCl@ss 9.0	27440106
ETIM 5.0	EC002062
ETIM 6.0	EC002925

Link to product

<https://www.escha.net/en/products/standard/t-splitters-y-splitters/8041352>