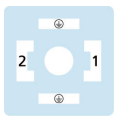
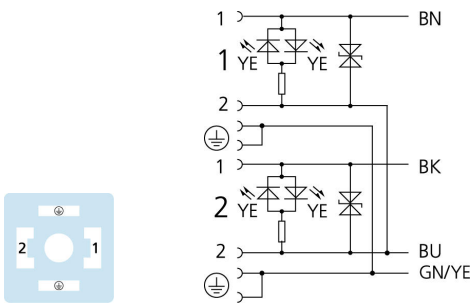
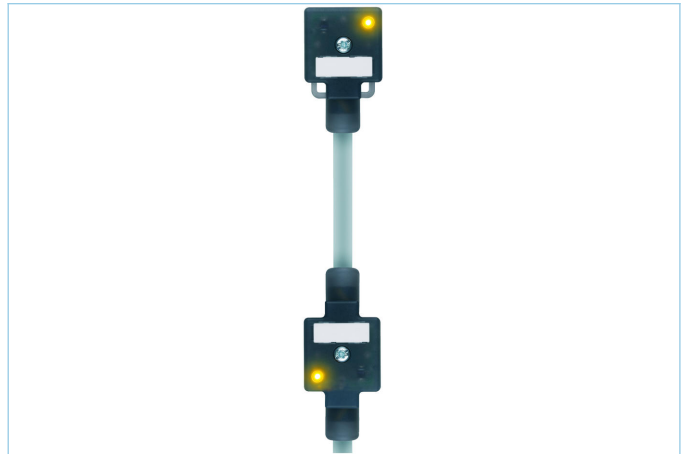
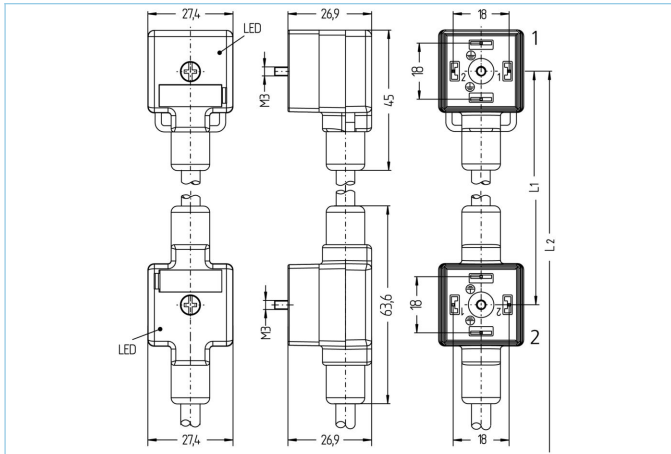


Double-valve connector, housing style A, 2+PE bridged, suppressor diode, sensor-/actuator cable



Product data

| | |
|------------------------------|--------------------------------|
| Item description | VA22-24.3-0,15-DA22-24.3-5/P01 |
| Item-No. | 8055756 |
| Length | 5m |
| Distance of valve connectors | 0.15m |
| Customs tariff-No. | 85444290 |
| Step-File | VA22-24_3-L-DA22-24_3-m_S_.stp |
| EAN | 4047106140830 |

Technical data

| | A-side | B-side |
|----------------------------------|-------------------------------|-------------------------------|
| Connector | female, angled, Valve A | female, angled, Valve D |
| Number of pins | 2+PE, PE bridged | 2+PE, PE bridged |
| Pin assignment | 1 BN, 2 BU, 3 n.c., PE: GNYE | 1 BK, 2 BU, 3 n.c., PE: GNYE |
| Rated voltage | 24V _{AC/DC} | 24V _{AC/DC} |
| Current load (at 40°C) | 4A | 4A |
| Insulation resistance | ≥10 ⁹ Ω | ≥10 ⁹ Ω |
| Ambient temperature product | -30°C...+90°C | -30°C...+90°C |
| Contact material | Metal, CuSn, silver-plated | Metal, CuSn, silver-plated |
| Contact-carrier material | Plastic, PA, BK | Plastic, PA, BK |
| Grip body material | Plastic, TPU, BK, translucent | Plastic, TPU, BK, translucent |
| Sealing (female) material | Plastic, TPU | Plastic, TPU |
| Sealing (female) material B-side | Plastic, TPU | Plastic, TPU |
| Signal status-indicator | LED YE/YE | |
| Protection circuit | Suppressor diode | |
| Fixing screw | Metal, CuZn, nickel-plated | Metal, CuZn, nickel-plated |
| Housing style | A | D |

| | | |
|--------------------------------|--------------------|--------------------|
| Degree of protection (mounted) | IP65, IP67, IP68 | IP65, IP67, IP68 |
| Mechanical life-cycle | >100 mating cycles | >100 mating cycles |

| | |
|--------------|-------------------------|
| Cable | PVC, UL, P01, GY |
|--------------|-------------------------|

PVC-cable for measurement and control-, and sensor technology. Suitable for applications in dry areas on packaging machines, assembly- and conveyor technology. High flexibility with unstressed movement (conditional drag-chain application possible). Predestined for applications in food- and beverage industry. P01-cables meet the UL and CSA (UL1729/2464; cULus) requirements.

| | |
|------------------------------|--|
| Outer diameter of jacket | 6.40 +/- 0.2 mm |
| Cable-jacket material | PVC |
| Jacket color | GY, similar RAL7040 |
| Wire cross-section | 4 x 0.75 mm ² |
| Wire insulation material | PVC |
| Wire colors | BN, BK, BU, GNYE |
| Wire structure | 24 x 0,20 mm |
| Bending radius (fixed) | 5 x Ø-cable |
| Bending radius (repeated) | 10 x Ø-cable |
| Temperature range (repeated) | 0°C...+80°C |
| Temperature range (fixed) | -25°C...+80°C |
| Rated voltage cable | ≤300 V |
| Special features | seawater resistant, recyclable, LABS free, RoHs compliant, acid- and alkali resistant, ozone resistant, UV resistant |

| |
|-----------------------|
| Classification |
|-----------------------|

| | |
|------------|----------|
| eCl@ss 6.0 | 27279218 |
| eCl@ss 7.0 | 27279218 |
| eCl@ss 8.0 | 27279218 |
| eCl@ss 9.0 | 27060312 |
| ETIM 5.0 | EC001855 |
| ETIM 6.0 | EC001855 |

| |
|--------------------|
| Accessories |
|--------------------|

| |
|--|
| Labels, Valve connector https://www.escha.net/en/products/standard/accessories-for-connectivity/8047109 |
| Fixing screw https://www.escha.net/en/products/standard/accessories-for-connectivity/8060907 |

| |
|------------------------|
| Link to product |
|------------------------|

<https://www.escha.net/en/products/standard/valve-connectors/8055756>