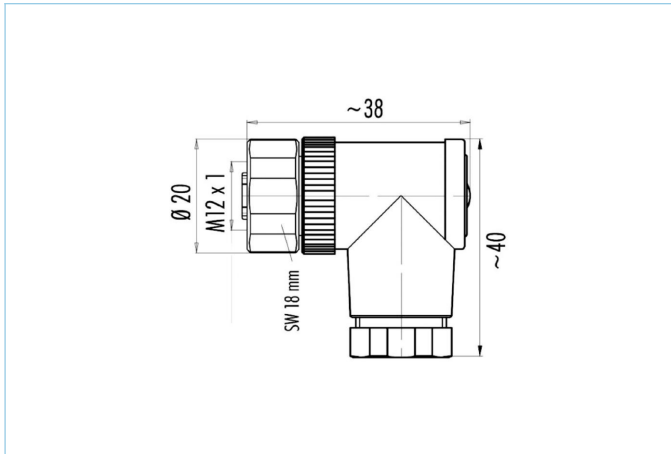
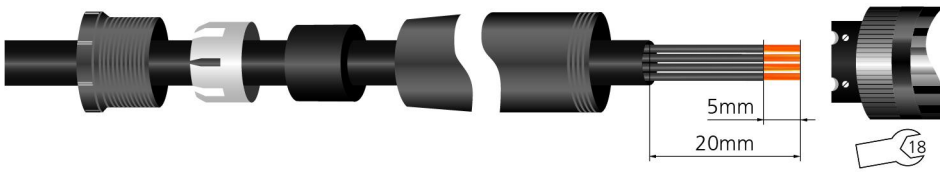


Field-wireable, M12, female, angled, 4+PE, screw-/clamp contact, stainless steel, 60V 4A



Product data	
Item description	WWAKCE5K
Item-No.	8063395
Customs tariff-No.	85366990
Step-File	WWAKCE5K.stp
EAN	4047106149147
Technical data	
Connector	female, angled, M12
Number of pins	5
Coding	A
Rated voltage	60V
Current load per pin (at 40°C)	4A
Resistance	≤ 3mΩ
Ambient temperature product	-40°C...+85°C
Contact material	Metal, CuZn, gold-plated
Contact-carrier material	Plastic, PA, BK
Grip body material	Plastic, PBT, BK
Coupling nut material	Stainless steel, V4A
Connecting cross-section	max. 0,75 mm <sup>2</sup>
Cable outlet	4...6 mm
Connecting type	Screw-/clamp contact
Standards	IEC 61076-2-101
Degree of protection (mounted)	IP67
Mechanical life-cycle	>100 mating cycles
Degree of pollution	3
Style	angled

**Manual**



**Classification**

eCl@ss 6.0	27260702
eCl@ss 7.0	27440102
eCl@ss 8.0	27440102
eCl@ss 9.0	27440102
ETIM 5.0	EC002635
ETIM 6.0	EC002635

**Link to product**

<https://www.escha.net/en/products/standard/connectors-for-the-food-industry/8063395>